

Stainless Steel Anti-Vibration Tables

Stability and repeatability of measurements due to minimization of ground vibrations.



SAL/C, SAL/C/PLUS



SAL/T



SAL/H, SAL/H/PLUS



SAP/C



SAP/H

Features

Various Applications

The weighing tables are intended for operation in industry and laboratory.

Base Temperature

Granite top ensures stable temperature of the base and the highest accuracy and repeatability of measurements.

Anti-Vibration Construction

Stone top, embedded in the table made of stainless steel or chipboard, enables stabilization of the ground. This increases the accuracy and repeatability of measurements.

Compatible with

SAL/C, SAL/H:

- UYA 4Y ultra-microbalances
- MYA 4Y microbalances
- XA 4Y microbalances
- XA 4Y; AS X2 PLUS, AS R PLUS analytical balances,
- PM 4Y, C32 precision balances,
- PMV PLUS moisture analyzers,
- MA X2, MA R moisture analyzers,
- MAS, MPS, MUYA modules

SAL/C/PLUS, SAL/H/PLUS:

- XA 4Y.A PLUS microbalances
- XA 4Y.M.A PLUS analytical balances

SAL/T:

- AS X2 PLUS analytical balances
- PA-04/H automatic feeders

SAP/C, SAP/H:

- PM 4Y, PM C32 precision balances
- WPT/H, WPT/HR platform scales
- Stainless steel TMX H, HY10 multifunctional scales
- TMX, WPW multifunctional scales
- Waterproof WPW/T/H/FH, WPW/T/HR/FH control scales

Set Content

- Work table

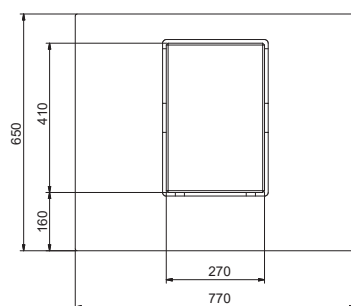
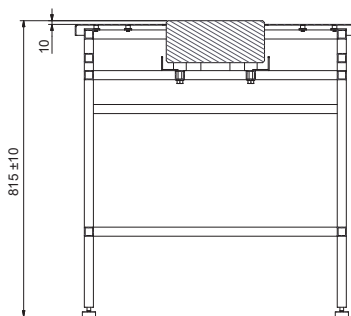
- Marble top

Technical Specifications

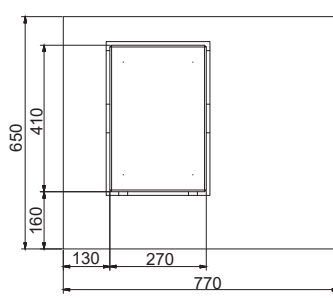
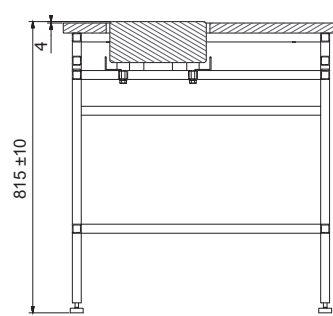
	SAL/C, SAP/C, SAL/T	SAL/H, SAP/H
Length	770 mm	770 mm
Width	650 mm	650 mm
Height	815 mm ± 10 mm	815 mm ± 10 mm
Stabilizing plate thickness	115 mm	115 mm
Load-bearing capacity	40 kg	40 kg
Material	construction: powder coated steel top: HPL board stabilizing plate: granite stone slab	construction: stainless steel top: stainless steel stabilizing plate: granite stone slab
Vibration dampening f(10 – 100 Hz)	80 %	80 %
Net / gross weight	55 - 60 kg / 65 - 70 kg	55 - 60 kg / 65 - 70 kg
Packaging dimensions	800x600x820mm + case for granite stone slab 315x455x165mm	800x600x820mm + case for granite stone slab 315x455x165mm

	SAL/C/PLUS	SAL/H/PLUS
Length	770 mm	770 mm
Width	650 mm	650 mm
Height	815 mm ± 10 mm	815 mm ± 10 mm
Stabilizing plate thickness	115 mm	115 mm
Load-bearing capacity	40 kg	40 kg
Material	construction: powder coated steel top: HPL board stabilizing plate: granite stone slab	construction: stainless steel top: stainless steel stabilizing plate: granite stone slab
Vibration dampening f(10 – 100 Hz)	80 %	80 %
Net / gross weight	55 - 62 kg / 66 - 70 kg	55 - 62 kg / 66 - 70 kg
Packaging dimensions	800x600x820mm + case for granite stone slab 365x455x165mm	800x600x820mm + case for granite stone slab 365x455x165mm

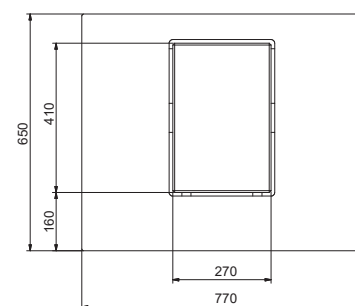
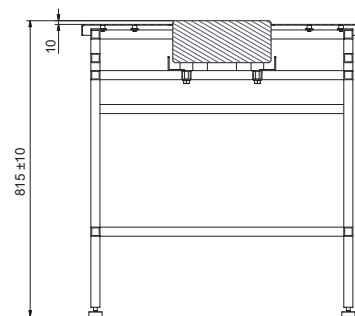
Dimensions



SAL/C

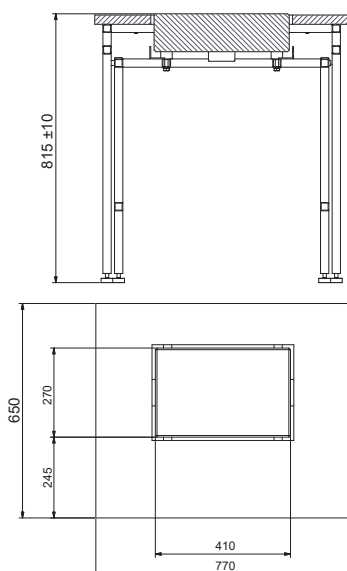


SAL/T

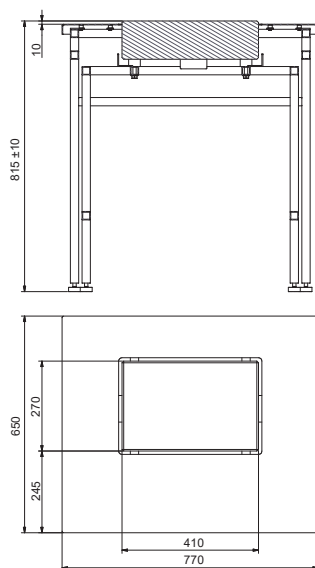


SAL/H

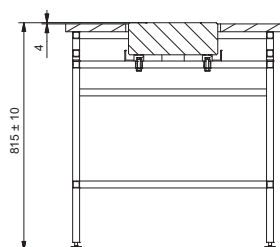
Dimensions



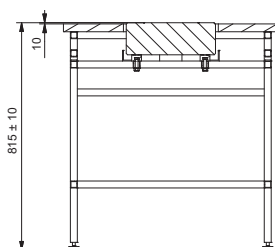
SAP/C



SAP/H



SAL/C/PLUS



SAL/H/PLUS