

# 350-10-4 Dual-ramp Wheelchair Scale

With Seat and Handrail



## Specifications

**Capacity:**

1,000 lb x 0.2 lb (450 kg x 0.1 kg)

**Platform Dimensions:**

(W x L x H) 32 in x 29.5 in x 2.375 in

**Chair Dimensions:**

(W x D) 12 in x 6.25 in

**Display:**

5-digit LCD display, 0.75 in (1.9 cm) digit height

**Power:**

9 VDC, provided by six AA alkaline batteries (included) or AC adaptor (optional)

**Battery Type:**

Six AA alkaline (included)

**Battery Use:**

25 hours continuous use with batteries  
Automatic power-off can be configured

**Operating Temperature:**

50° F to 104° F (10° C to 40° C)

**Approvals:**

c-Met, E113986

**Warranty:**

Two-year limited warranty

## Standard Features

- Two wheels for portability
- Dual ramp
- Non-slip platform
- Fold-away padded seat with backrest
- Large 1-inch LCD display
- Motiontrap™ movement compensation technology
- Unit of measure toggle or locking
- EHR capable
- USB, Bluetooth 2.0, or BLE 4.0 available, part number selectable
- Tare function
- Hold function
- BMI (body mass index) function
- Factory calibrated
- Easy to store, folded depth is 11.75 in

## Part Number/Price

Part #	Model #	Capacity	Price
141448	350-10-4	1,000 lb x 0.2 lb (450 kg x 0.1 kg) with USB	Consult
168354	350-10-4BT	1,000 lb x 0.2 lb (450 kg x 0.1 kg) with USB and Bluetooth® 2.0	Consult
194737	350-10-4BLE	1,000 lb x 0.2 lb (450 kg x 0.1 kg) with Bluetooth® BLE 4.0	Consult

## Shipping Weight

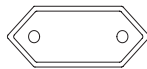
Part #	Model #	L (in)	W (in)	H (in)	Package Wgt. (lb)	Dim Wgt. (lb)	Shipping Wgt. (lb)
141448	350-10-4	51	43	21	132	332	332
168354	350-10-4BT	51	43	21	132	332	332
194737	350-10-4BLE	51	43	21	132	332	332

## Options/Accessories

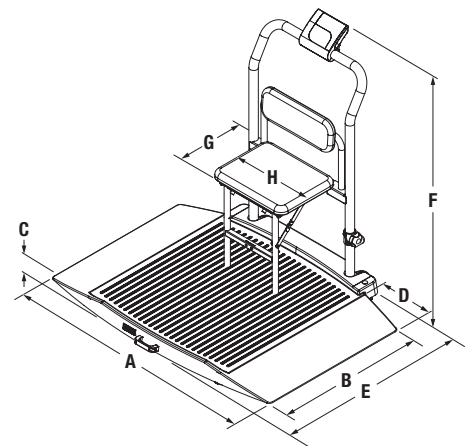
Part #	Description	Price
115655 †	9 VDC adaptor, 120 V/230 V auto switching c-MET medical grade power supply	Consult
133077 †	9 VDC adaptor, 120 V/230V auto switching	Consult
102508 ††	9 VDC adaptor, 230 V	Consult
81076	Epson TM-U220 tape printer	Consult
186830	Printer cable, 25-pin D-Sub male to RJ-45, 6 ft	Consult



† NEMA 1-15 Plug



†† CEE 7/16 Plug



## Dimensions

	Inches	Centimeters
A	48.5	123.2
B	32	81.3
C	2.4	6.1
D	9.3	23.6
E	38	96.5
F	45	114.3
G	6.3	16
H	12	30.5