

650-10-1 Neonatal Scale

Dual Range

Specifications

Capacity:

0-10 lb x 0.05 oz (0-5 kg x 1 g)
10-33 lb x 0.1 oz (5-15 kg x 2 g)

Power:

12 VDC, provided by six AA lithium batteries (included) or AC adaptor (optional)

Battery Type:

Six Li-FeS2 batteries

Operating Temperature:

50° F to 95° F (10° C to 35° C)

Display:

5-digit LCD display, 0.75 in (1.9 cm) digit height

Approvals:

c-Met E113986

Warranty:

Two-year limited warranty



Model 650-10-1

Standard Features

- Large, easy-to-read, 0.75- in LCD display
- Dual-range capacity for increased precision from 0-10 lb
- Unit of measure locking
- Automatic shut-off for long battery life
- Motiontrap™ movement compensation technology
- Built-in measuring tape 0-23.5 in x 0.125 in (0-60 cm x 0.25 cm)

Part Number/Price

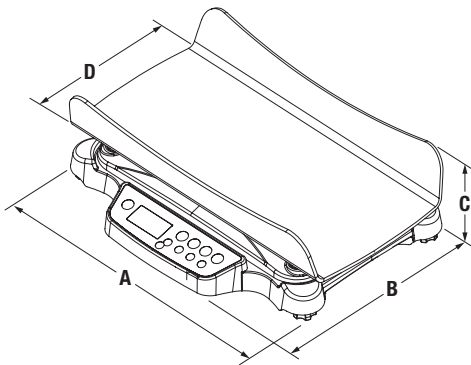
Part #	Model #	Capacity	Price
161784	650-10-1	0-10 lb x 0.05 oz, 10-33 lb x 0.1 oz (0-5 kg x 1 g, 5-15 kg x 2 g) 120V/230V	Consult

Shipping Weight

Part #	Model #	L (in)	W (in)	H (in)	Package Wgt. (lb)	Dim Wgt. (lb)	Shipping Wgt. (lb)
161784	650-10-1	18	28	11	25	40	40

Options/Accessories

Part #	Description	Price
165138	AC adaptor, input voltage 100-240V, c-Met, medical grade	Consult



Dimensions

	Inches	Centimeters
A	24	60.8
B	19	48.2
C	6.75	17.1
D	17	43.2