

# iDimension® Plus XL / OEM Series

Static Dimensioning System



## Standard Features

- Easy assembly with limited operator training required; up and running within 30 minutes
- Displays dimensions in less than 0.2 seconds
- Requires virtually no special alignment or special handling while placing a package to increase throughput with adjustable scan zone and area of interest
- Includes 7 in (178 mm) USB touchscreen monitor:
  - Displays dimensions, live overhead image, status and weight if scale is directly attached
  - Initial setup and configuration wizard
  - Access to operator controls and functions
- Dimensions parcels at 0.2 in (5 mm) Legal for Trade accuracy
- Dimensions irregular-shaped packages and polybags to 0.5 in NTEP Legal for Trade accuracy using automatic recognition
- Legal for Trade measurements do not determine the minimum and maximum measurement capabilities available

## Images:

- Included low resolution color image captures overhead photo of every item, available in .bmp or .jpg format through XML API integration
- High resolution color image, 2880 x 2160 pixels, available from iDimension Plus 4K

## Peripherals:

- Optional powered USB Hub for use of more than one peripheral
- Optional USB barcode scanner with keyboard wedge emulation will manually trigger dimensioning and add barcode text data into web service API.
- Rice Lake BenchPro shipping/postal scales and compatible indicators

## Options

- iDimension XL mounting hardware and cable assy kit. Includes sensor mounting bracket, 25 ft US power cord and 2 10 ft USB Type A extension cables
- USB display ram mount kit
- Floor mount stand assembly

## Specifications

### Package Dimensions:

Length: 26 in (660 mm)  
Width: 15 in (381 mm)  
Height: 8 in (203 mm)  
Weight: 25 lb (12 kg)

### Power Requirements:

Single power source 110-240 V external power supply, US power cord

### Object Colors:

All opaque packaging

### Measurement Time:

0.2 seconds (scale settling times vary by manufacturer)

### I/O Ports:

(3) USB type A port (scale, USB display, bar code scanner)  
(1) 10/100/1000 Base-T Ethernet port (interface to PC)

### Software Integration:

API and SDK files available for network device integration

### Package Contents:

iDimension Plus XL sensor, mounting bracket, USB display, calibration object, DC power supply

### Operating Temperature:

32° F to 104° F (0° C to 40° C)

### Humidity:

Non-condensing

### Warranty:

Two-year limited warranty

### Approvals:

NTEP 19-076A2  
CE  
OIML, MID, NMI

## Approvals



## iDimension Plus XL

Model	XL at 1.2 m		XL at 1.5 m		XL at 2 m	
Platform Distance	48 in (1,200 mm)		60 in (1,500 mm)		80 in (2,000 mm)	
Min/Max	Min	Max	Min	Max	Min	Max
Length	1.2 in (30 mm)	40 in (1,000 mm)	1.2 in (30 mm)	48 in (1,200 mm)	8 in (203 mm)	48 in (1,200 mm)
Width	1.2 in (30 mm)	24 in (600 mm)	1.2 in (30 mm)	32 in (800 mm)	8 in (203 mm)	32 in (800 mm)
Height	0 in (0 mm)	24 in (600 mm)	0 in (0 mm)	28 in (700 mm)	4 in (102 mm)	32 in (800 mm)
Division	0.2 in (5 mm)		0.2 in (5 mm)		0.5 in (10 mm)	

Legal for trade approved minimum and maximum measurements are available from the country specific certificate of approval.

## Part Numbers/Price

Part #	Description	Price
<b>iDimension Plus XL</b>		
204601	iDimension Plus XL	Consult
204602	iDimension Plus XL 4K	Consult
<b>iDimension Plus XL Mounting Options</b>		
174660	iDim XL floor stand with packaging	Consult
198708	XL Mounting Hardware and Cable Assy Kit with 25 ft North American power cord	Consult
206583	XL Mounting Hardware and Cable Assy Kit without power cord	Consult
184262	iDimension USB operator display RAM mount kit	Consult

DIMENSIONING

# iDimension® Plus XL / OEM Series

Static Dimensioning System

## Part Numbers/Price

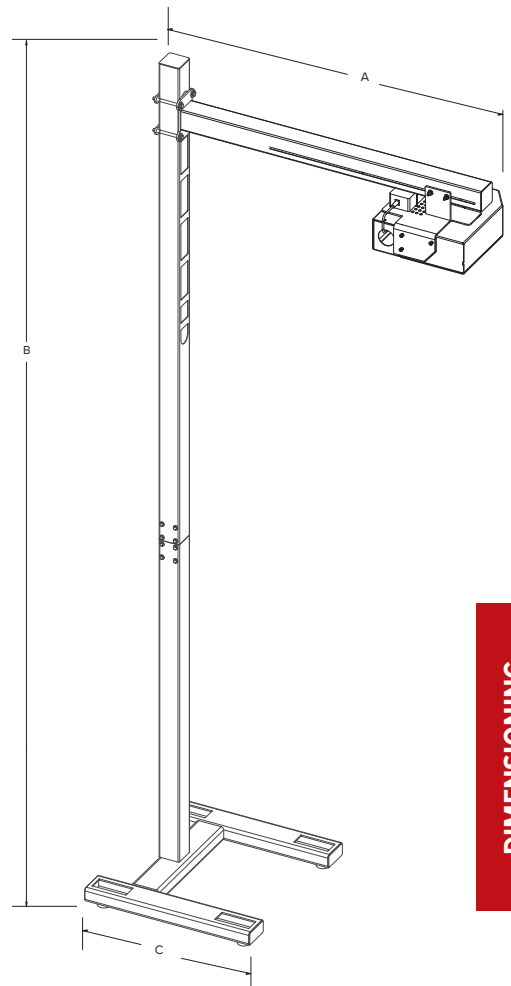
Part #	Description	Price
<b>iDimension Plus XL Accessories</b>		
180007	Kit USB Hub, 5m cable assy, power adapter , 4 port industrial hub, North America power supply	Consult
205533	Power cord, detachable, German/French, 5 m	Consult
95589	Power cord, detachable, UK, 2.5 m	Consult
197896	Software, 880 iRite NCI protocol	N/C
178501	RS-232/USB cable, for use with compatible indicators	Consult
<b>iDimension Plus Barcode Scanner</b>		
176307	QuickScan QD2131 USB bar code scanner. Keyboard wedge emulation mode only (alpha/numeric)	Consult
206225	Honeywell 19811FR-3USB-5-N long range barcode scanner	Consult
206228	Honeywell 19811FR-3USB-5-N power supply scanner	Consult
<b>iDimension Plus UPS Worldship Interface</b>		
180771	Kit USB Hub for BenchPro Scale and UPS worldship compatibility. Includes interface cable for RS-232 & USB to PC	Consult
<b>Integration Solutions</b>		
203010*	QubeVu Desktop app, software keyboard wedge, Windows 10	N/C
175812	iDimension SS webserver software, Windows 10, for data collection and integration	Consult
<b>Optional Factory Service and Support</b>		
202027	Level 1 remote support, iDimension Plus configuration and scale setup	Consult/Unit
202029	Level 2 remote support, iDimension Plus advanced configuration and software setup	Consult/Hour
<b>Extended Warranty – 2 year standard</b>		
202030	iDimension Plus additional 1 year extended warranty	Consult
202031	iDimension Plus additional 2 year extended warranty	Consult
202032	iDimension Plus additional 3 year extended warranty	Consult
<b>Rice Lake BenchPro Compatible Scales</b>		
<b>Postal Scale 12 x 14 in (305 x 356) Weight Platter</b>		
194625 **	Model BP 1214-35P - 70 lb postal Scale, painted mild steel weight platter	Consult
<b>Shipping Scale 12 x 14 in (305 x 356 mm) Weight Platter</b>		
174879	Model BP 1214-75S, 150 x 0.05lb / 75 x 0.02kg, stainless steel weight platter	Consult
184585	Model BP 1214-75S, 150 x 0.05lb / 75 x 0.02kg painted mild steel weight platter	Consult
<b>Shipping Scale 18 x 18 in (457 x 457 mm) Weight Platter</b>		
202190	Model BP 1818-75S, 150 x 0.05lb / 75 x 0.02kg roller conveyor weight platter	Consult
201730	Model BP 1818-75S, 150 x 0.05lb / 75 x 0.02kg ball top weight platter	Consult
202191	Model BP 1818-75S, 150 x 0.05lb / 75 x 0.02kg, painted mild steel weight platter	Consult
<b>Shipping Scale 20 x 20 in (508 x 508 mm) Weight Platter</b>		
182396	Model BP 2020-150S, 300 x 0.1lb / 150 x 0.05kg, painted mild steel weight platter	Consult
182397	Model BP 2020-150S, 300 x 0.1lb / 150 x 0.05kg, ball top weight platter	Consult
182398	Model BP 2020-150S, 300 x 0.1lb / 150 x 0.05kg, roller conveyor weight platter	Consult
<b>Shipping Scale 24 x 24 in (610 x 610 mm) Weight Platter</b>		
182400	Model BP 2424-150S, 300 x 0.1lb / 150 x 0.05kg, painted mild steel weight platter	Consult
182401	Model BP 2424-150S, 300 x 0.1lb / 150 x 0.05kg, ball top weight platter	Consult
182402	Model BP 2424-150S, 300 x 0.1lb / 150 x 0.05kg, roller conveyor weight platter	Consult

\* Available for free download at [www.ricelake.com](http://www.ricelake.com)

\*\*USB HID interface not available when in the Postal Scale lb/oz mode

## Optional iDimension Plus XL Floor Mount Stand Assembly Dimensions

	Inches	Millimeters
A	47.34	1,202
B	123.13	3,128
C	24.21	615



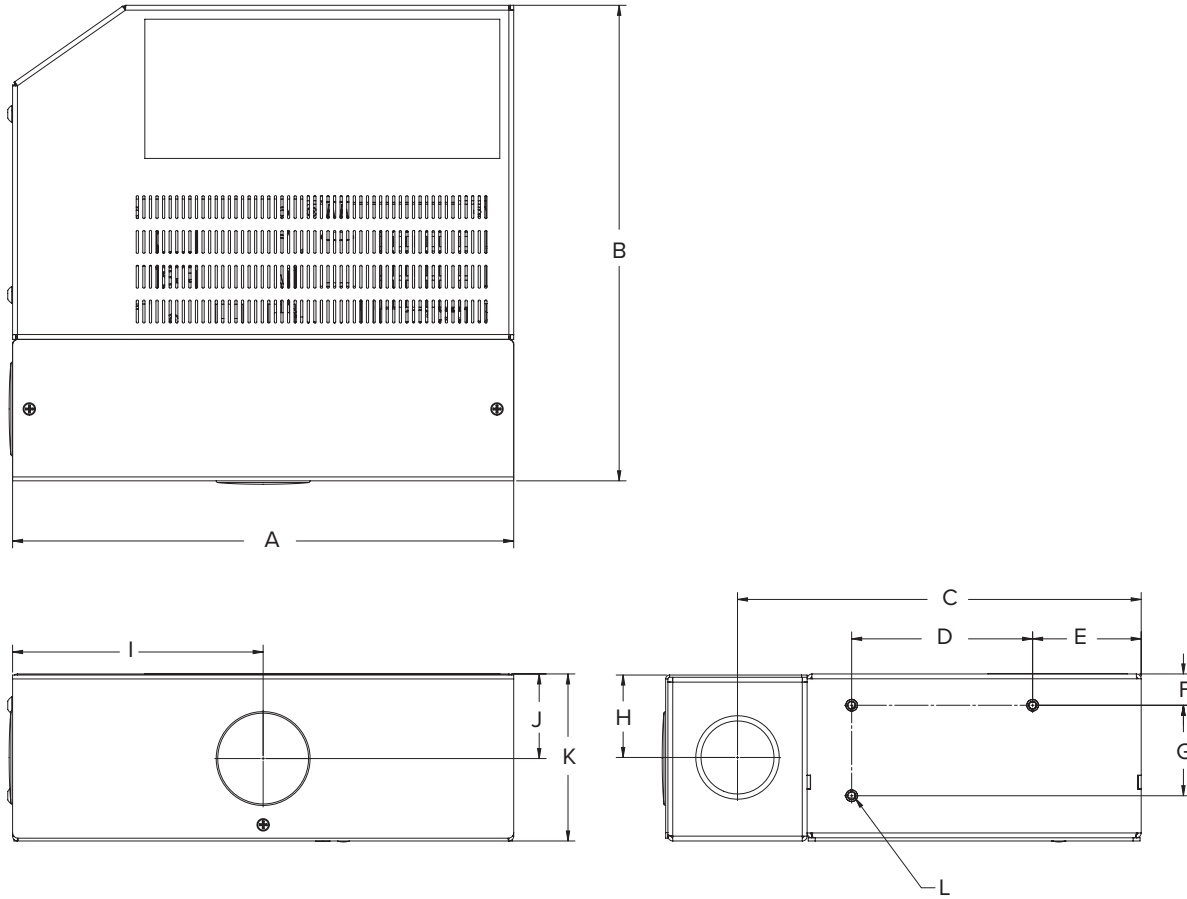
DIMENSIONING

# iDimension® Plus XL / OEM Series

Static Dimensioning System

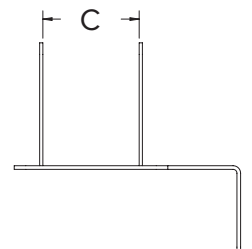
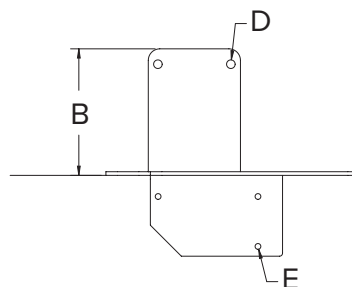
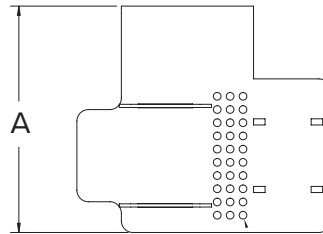
## Dimensions - iDimension Plus XL Scanning Head Assembly

	Inches	Millimeters	Inches	Millimeters	Inches	Millimeters		
A	9.0	229	F	0.6	15	K	3.0	76
B	8.5	216	G	1.6	41	L	M4 x .7 threaded hole	
C	7.2	183	H	1.5	38			
D	3.3	84	I	4.5	114			
E	2.0	51	J	1.5	38			



## Dimensions - iDimension XL Mounting Bracket - PN 198708

	Inches	Millimeters
A	7.369	187
B	4.119	105
C	3.135	80
D	2X Ø.280	
E	3X Ø.188	



DIMENSIONING