

Freefall metal detection system Vistus® VPU

For space-saving integration into your packaging system



ⓘ Advantages

- Maximum product safety thanks to the highest degree of detection sensitivity
- Extremely compact, ensuring it can be used even in the smallest of spaces
- Easy installation and operation



Vistus® VPU offers reliable metal detection even in the tightest of spaces for multi-head weigher and bagging machine applications. It is an ideal way of inspecting snack foods, confectionery and other foodstuffs.

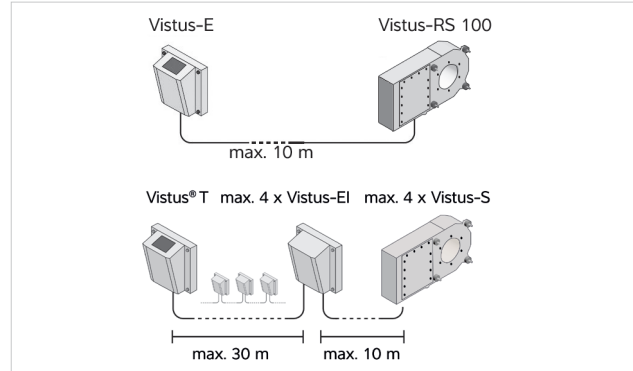
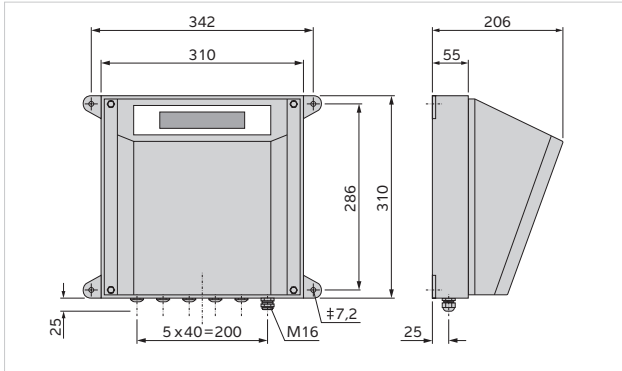
Increase product quality and safety in your packaging process

- ⓘ Freefall metal detection system Vistus® VPU offers maximum detection performance for the food industry. All **metal foreign bodies, including ferrous and non-ferrous metals and even non-magnetic stainless steels**, are consistently detected. In the case of metallic foil packaging, the product is inspected immediately before it enters the bag to guarantee **maximum detection performance**.
- ⓘ The search coil's **minimal dimensions** ensures use is possible **even in the tightest of spaces**.
- ⓘ The selection of **user-friendly, intuitive user interfaces** make **system setup quick and easy**. **Intuitive menu guidance** and operator terminal with **touchscreen** are included.

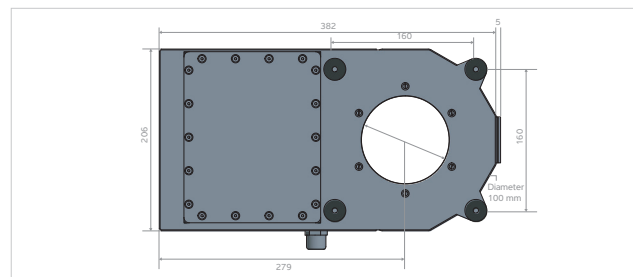
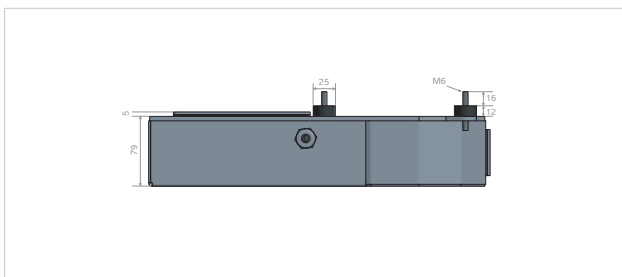
Freefall metal detection system Vistus® VPU

Vistus® VPU detects foreign bodies in your production process even in the tightest of spaces. The metal detector has a tried and tested user management system that protects against unauthorised access.

Scale drawing of Vistus® E operator terminal



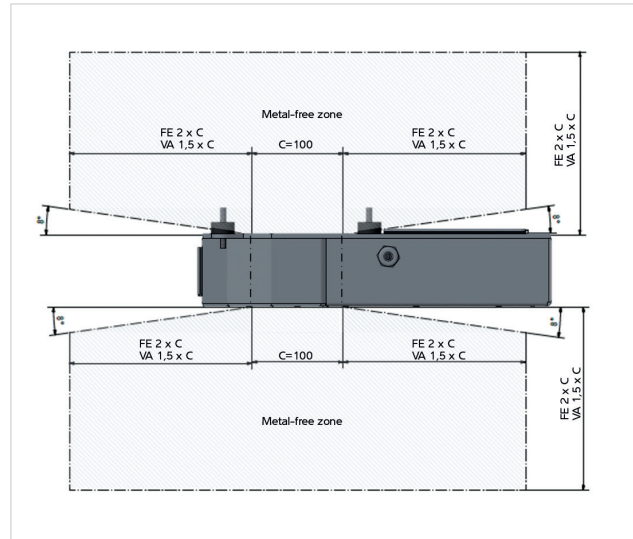
Scale drawing of Vistus® VPU search coil



Technical data freefall system Vistus® VPU

Supply voltage	90 V to 260 V
Voltage frequency	47 Hz ... 63 Hz
Energy consumption	up to 100 VA
Relay outputs	4 relays Relays 1, 3 and 4 are freely programmable 'Error' relay 2: fixed assignment
Product speed	2 cm/sec ... 20 m/sec
Product temperature	-30°C to +55°C
Ambient temperature	Operation: -10°C to +55°C Storage: -10°C to +70°C
Relative air humidity	Operation: < 58% at +55°C Storage: < 30% at +70°C
Housing	Stainless steel 1.4301 (AISI 304)
Protection class	IP65 (optional: IP69K)
Weight	Vistus-RS100: up to 9 kg Vistus-EI: up to 7 kg Vistus-E: up to 7 kg Vistus-T: up to 7 kg
Max. cable lengths between devices	Vistus-E to Vistus-RS 100: 10 m Vistus-T to Vistus-EI: 30 m Vistus-EI to Vistus-RS100: 10 m

Metal-free zone



Available interfaces

- RS 232, RS 422
- USB printing
- TCP-IP XML server/client
- Remote control
- Profibus
- SPC@Enterprise

The technical data given serves as a product description only and should not be understood as guaranteed properties in the legal sense.

Specifications subject to change without notice.

Last updated 05/2017

Minebea Intec Aachen GmbH & Co. KG
 Am Gut Wolf 11
 52070 Aachen, Germany
 Phone +49.241.1827.0
 sales.ac@minebea-intec.com
 www.minebea-intec.com