

Installation Manual

Hygienic Weighing Module Contego®



Foreword

Must be followed!

Any information in this document is subject to change without notice and does not represent a commitment on the part of Minebea Intec unless legally prescribed. This product should only be operated/installed by trained and qualified personnel. In correspondence concerning this product, the type, name, and release number/serial number as well as all license numbers relating to the product have to be cited.

Note

This document is partially protected by copyright. It may not be changed or copied, and it may not be used without purchasing or written permission from the copyright owner (Minebea Intec). The use of this product constitutes acceptance by you of the abovementioned provisions.

Table of contents

1	Introduction.....	4
1.1	Read the manual.....	4
1.2	This is what operating instructions look like.....	4
1.3	This is what lists look like.....	4
1.4	This is what menu items and softkeys look like.....	4
1.5	This is what the safety instructions look like.....	4
1.6	Hotline.....	5
2	Safety instructions.....	6
2.1	General notes.....	6
2.2	Intended use.....	6
2.3	Initial inspection.....	6
2.4	Before operational startup.....	6
3	Recommendations for installation.....	7
3.1	Location of weighing modules.....	7
3.2	Foundation.....	8
3.3	Mounting aid.....	9
3.4	Internal lift-off protection with integrated jack-up.....	10
3.4.1	General instructions.....	10
3.4.2	Jack-up.....	11
3.4.3	Adjusting the built-in lift-off protection.....	12
4	Specifications.....	13
4.1	Equipment supplied with the weighing module.....	13
4.2	General information.....	13
4.3	Possible marking of the load cell for the Ex area.....	15
4.4	Dimensions of the PR 6041/60S weighing module.....	16
4.5	Ordering information.....	17
4.6	Technical data of the load cell.....	18
5	Installation.....	21
5.1	Prior to mounting.....	21
5.1.1	Preparing the ground.....	21
5.1.2	Preparing vessel foot.....	22
5.2	Tightening torques.....	24
5.3	Assembly.....	24
5.3.1	Safety instructions.....	24
5.3.2	Mounting the weighing module.....	25
6	Connection.....	29
6.1	General information.....	29

6.2	Load cell	30
6.3	Cable connections	30
7	Preparing for calibration.....	32
7.1	General notes	32
7.2	Smart Calibration.....	32
7.3	Mechanical height adaptation.....	32
8	Troubleshooting	34
8.1	General Notes.....	34
8.2	Visual inspection.....	34
8.3	Metrological controls	34
8.3.1	Checking the zero output signal of the load cell.....	34
8.3.2	Checking the strain gauge bridge of the load cell.....	34
8.3.3	Checking the insulation impedance of the load cell.....	35
8.3.4	Checking the insulation impedance of the connecting cable	35
9	Servicing/repairs/cleaning	36
9.1	Care and maintenance	36
9.1.1	Maintenance	36
9.1.2	Replace the bellow.....	36
9.1.3	Replacing the load cell	38
9.2	Repairs.....	40
9.3	Cleaning	40
10	Disposal	41
11	Spare parts and accessories	42
11.1	Replacement parts	42
11.2	Accessories	42
11.2.1	Load discs.....	42
11.2.2	Connecting cables.....	42
11.2.3	Cable junction boxes	42
11.2.4	PR 6041/80S adapter plate.....	43
12	Certificates/safety instructions/control drawing	44
12.1	MEU17045.....	45
12.2	BVS 16 ATEX E 005	51
12.3	IECEX BVS 16.0005	55
12.4	TÜV 03 ATEX 2301X.....	59
12.5	IECEX TUN 17.0025X.....	65
12.6	MIN16ATEX001X	69
12.7	FM17CA0138	71
12.8	FM17US0276.....	74
12.9	4012 101 5688	77

12.10	MEU17034.....	78
12.11	RU Д-DE.A301.B.05345.....	84
12.12	DE-17-PC-PTB005.....	85
12.13	R60/2000-DE1-17.15.....	93
12.14	17-127.....	95
12.15	10045.....	98

1 Introduction

1.1 Read the manual

- Please read this manual carefully and completely before using the product.
- This manual is part of the product. Keep it in a safe and easily accessible location.

1.2 This is what operating instructions look like

1. - n. are placed before steps that must be done in sequence.
 - ▶ is placed before a step.
 - ▷ describes the result of a step.

1.3 This is what lists look like

- indicates an item in a list.

1.4 This is what menu items and softkeys look like

[] frame menu items and softkeys.

Example:

[Start]- [Applications]- [Excel]

1.5 This is what the safety instructions look like

Signal words indicate the severity of the danger involved when measures for preventing hazards are not followed.

DANGER

Warning of personal injury

DANGER indicates death or severe, irreversible personal injury which will occur if the corresponding safety measures are not observed.

- ▶ Take the corresponding safety precautions.

WARNING

Warning of hazardous area and/or personal injury

WARNING indicates that death or severe, irreversible injury may occur if appropriate safety measures are not observed.

- ▶ Take the corresponding safety precautions.

CAUTION

Warning of personal injury.

CAUTION indicates that minor, reversible injury may occur if appropriate safety measures are not observed.

- ▶ Take the corresponding safety precautions.

NOTICE**Warning of damage to property and/or the environment.**

NOTICE indicates that damage to property and/or the environment may occur if appropriate safety measures are not observed.

- ▶ Take the corresponding safety precautions.

Note:

User tips, useful information, and notes.

1.6 Hotline

Phone: +49.40.67960.444

Fax: +49.40.67960.474

eMail: help@minebea-intec.com

2 Safety instructions

2.1 General notes

NOTICE

Warning of damage to property and/or the environment.

The product was in perfect condition with regard to safety features when it left the factory.

- ▶ To maintain this condition and to ensure safe operation, the user must follow the instructions and observe the warnings in this manual.

2.2 Intended use

The Hygienic Weighing Module Contego® has been designed especially for weighing tasks using small and medium-sized process vessels in which ease of cleaning and avoidance of hygienically critical areas are highly important for a safe and efficient production process.

The weighing module Contego® may be used only for weighing tasks as intended.

The dimensions of all mounting and structural components must be calculated so that sufficient overload capacity is ensured for all loads which may occur while taking the relevant standards into account. In particular, upright weighing objects (vessels or similar) must be safeguarded against the weighing installation turning over or being shifted, thus eliminating danger to people, animals, or goods even in the case of breakage of a weighing module.

Installation and repair work must only be carried out by expert/qualified personnel.

The weighing module reflects the state of the art. The manufacturer does not accept any liability for damage caused by third-party system components or due to incorrect use of the product.

For installation in Ex zones, the safety instructions under “Contego protection classes” in Chapter [4.2](#) must be observed.

2.3 Initial inspection

Check the contents of the consignment for completeness. Check the contents visually to determine whether any damage has occurred during transport. If there are grounds for rejection of the goods, a claim must be filed with the carrier immediately. The Minebea Intec sales or service organization must also be notified.

2.4 Before operational startup

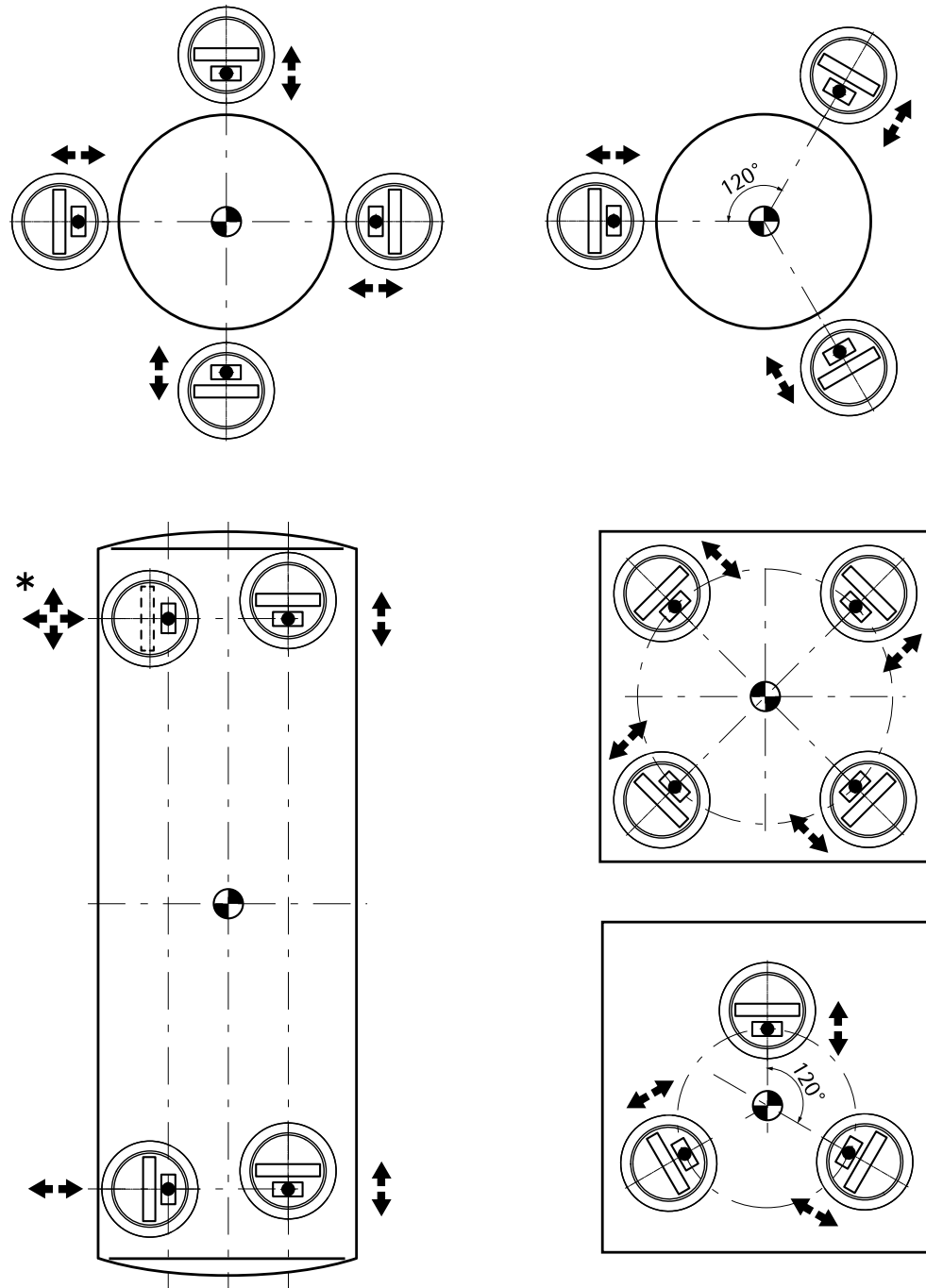
NOTICE

Perform visual inspection.

- ▶ Before operational startup as well as after storage or transport, inspect the weighing module visually for signs of mechanical damage.

3 Recommendations for installation

3.1 Location of weighing modules



Legend

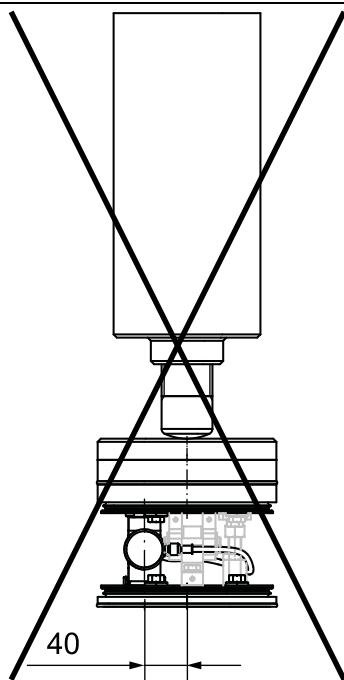
*	If necessary, release or remove the stopper, to avoid distortions.
●	Load application
➔	Possible direction of movement

- The underframe of the vessels must be strong enough to support the specified loads, horizontal (water level!) and flat.
- Preferably, vessels should be installed on 3 weighing modules with integrated stopper (see figure).
- Parasitic and/or horizontal forces and torques exceeding the permissible limits are disturbances which can generate measuring failures and, in the worst case, may damage the load cell.

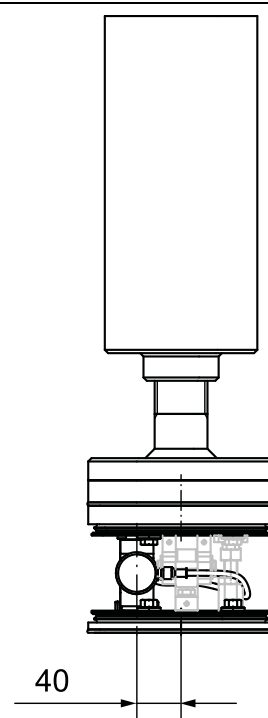
3.2 Foundation

Upper plates are not connected with each other.

Domed feet, non-fixated

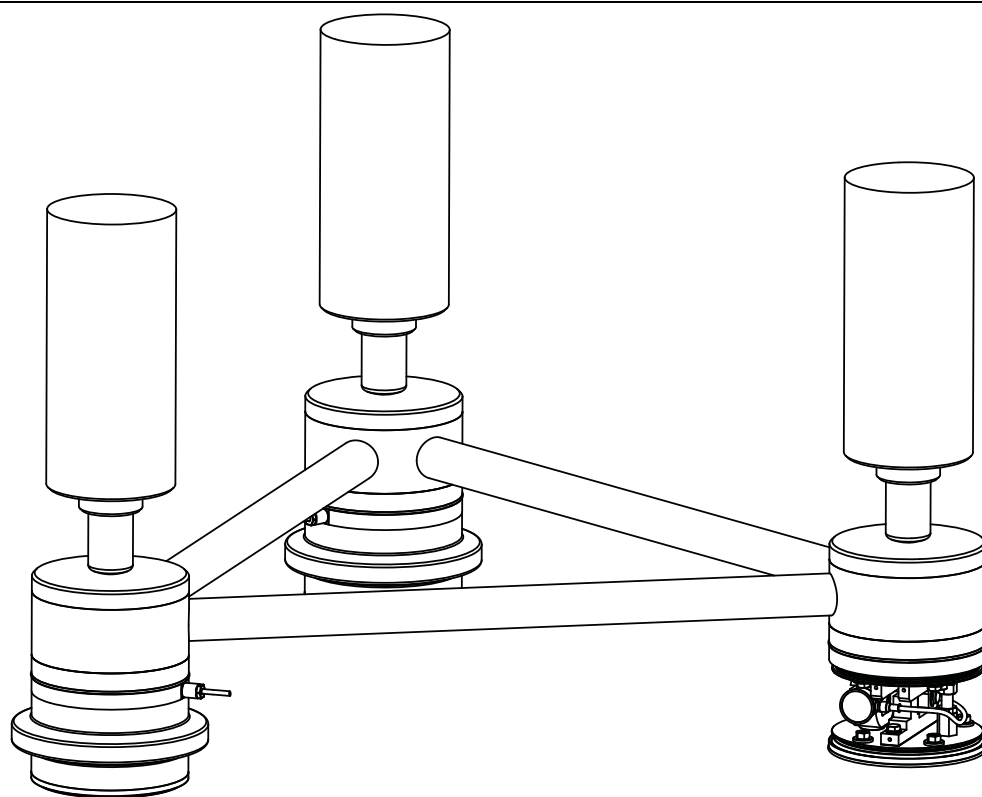


Domed feet, welded

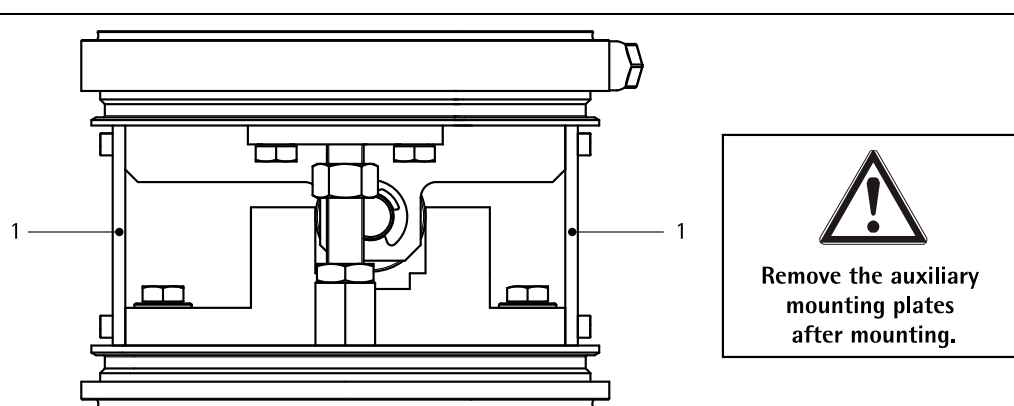


Upper plates are connected with each other.

Domed feet, non-fixated



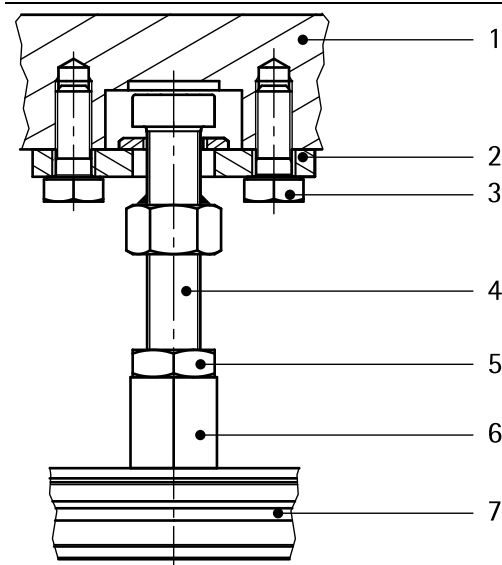
3.3 Mounting aid



The auxiliary mounting plates (1) facilitate installation of the weighing module.

3.4 Internal lift-off protection with integrated jack-up

3.4.1 General instructions



No.	Description
1	Upper plate
2	Retaining plate
3	Screw (2x)
4	Threaded bolt
5	Nut
6	Threaded bush
7	Lower plate

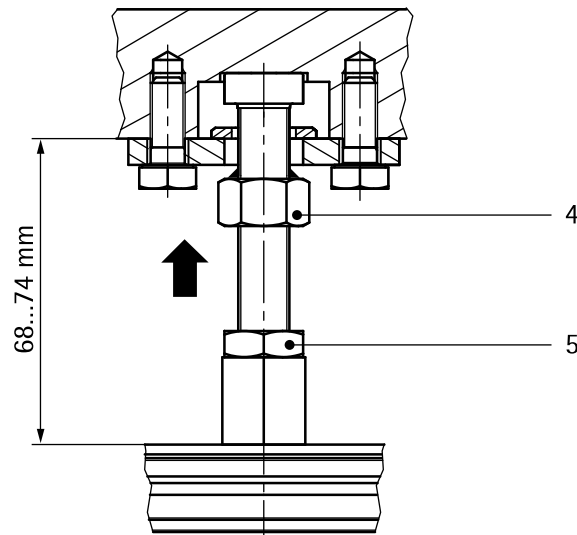
The hygienic weighing module Contego® is equipped with an internal lift-off protection, i.e. no additional borings apart from the mounting holes in the vessel foot are required. Moreover, the vessel can be lifted by turning the threaded bolt (4) (see Chapter [3.4.2](#)), e.g., when replacing the load cell.

3.4.2 Jack-up

⚠ WARNING

The vessel can tip over.

- Do not lift the vessel by more than 6 mm.



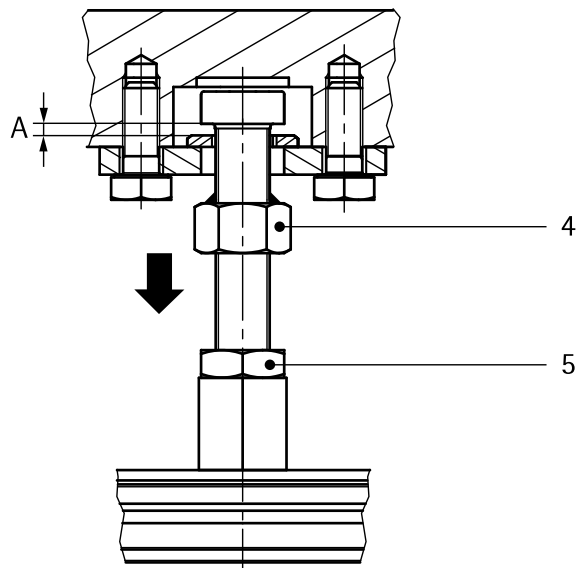
Lift the vessel as follows:

1. Loosen the nut (5).
2. Turn the threaded bolt (4) upwards at the hex to lift the vessel.
3. Turn the threaded bolt (4) until the load cell is unloaded and can be removed together with the upper load disc.

Use the load cell as follows:

4. Insert the load disc into the load cell.
5. Insert the load cell into the mounting kit.
6. Push the load cell cable through the cable gland and block it; see Chapter [9.1.3](#).
7. Load the load cell slowly and adjust the built-in lift-off protection as described in Chapter [3.4.3](#).

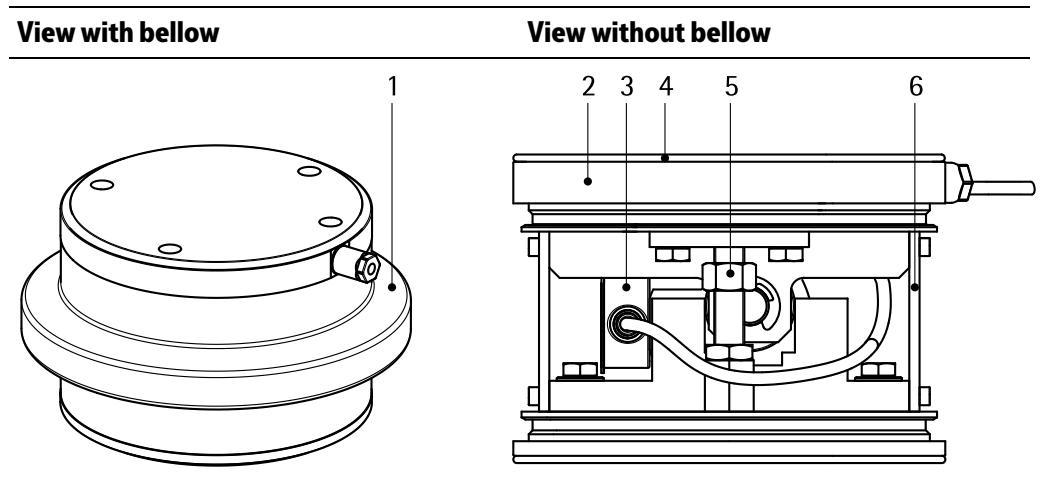
3.4.3 Adjusting the built-in lift-off protection



1. Loosen the nut (5).
2. Slowly turn the threaded bolt (4) on the lift-off protection at the hex downwards to the stop.
3. Turn the threaded bolt (4) back 1–1½ times to set the distance A = approx. 2 mm.
4. Re-tighten the nut (5).

4 Specifications

4.1 Equipment supplied with the weighing module



No.	Description
1	Bellow
2	PR 6041/60S or PR 6041/70S mounting kit
3	Load cell PR 6241/..
4	O-ring (2x)
5	Lift-off protector / jack-up
6	Auxiliary mounting plates (2x)
The following are not shown:	
7	PR 6043/31S load disc kit
8	Sleeves (2x in a bag); only for load cells PR 6241/12...52
9	Shims (in a bag)
10	Quick guide
11	Calibration Certificate
12	Only with Ex-load cells: Safety information for Ex-load cells

4.2 General information

Perm. horizontal force 7 kN

Permissible vertical load 1.5 t
without load cell

Perm. lift-off force 8 kN

Perm. force for jack-up 15 kN

max. horizontal shift for load cells	±5 mm
Perm. temperature range	-40 °C to +95 °C
Load cell material	Stainless steel 1.4542 acc. to DIN EN 10088-3
Protection against environmental influences	Hermetically sealed by welding. Filled with inert gas.
Mounting kit material	Stainless steel 1.4404 acc. to DIN EN 10088-3 (corresponds to 316L AISI/SAE)
Bellows material PR 6241, PR 54/.., PR 57/..,	Silicone (FDA-compliant)
Protection classes for load cell	in compliance with IEC 529 or DIN EN 60529 IP66/IP68: Dust-proof and leak-tight against water, with harmful effects when immersed, (1.5 m water depth, 10,000 h). Explosion: Suitable for explosion subgroup IIC and IIIC.
Protection classes Contego®	in compliance with IEC 529 or DIN EN 60529 IP66/IP68/IP69: Dust-proof and leak-tight against water, with harmful effects when immersed, (1.5 m water depth, 10,000 h) and water jets (high pressure and temperature). Explosion Gas: Suitable for zone 1 and explosion subgroup IIA and IIB. Explosion Dust: Suitable for zone 21 and explosion subgroup III observing the following safety instructions: - The electrostatic charge of the folding bellows must be avoided. - The Contego must be permanently installed.
Protection type	Intrinsic safety for PR 6241/..E
Cable diameter	5 mm
Cable length	5 m
Cable gauge	4×0.35 mm ²
Cable bend radius	≥25 mm (fixed installation) ≥75 mm (flexible installation)
Cable sheath material	Thermoplastic elastomer (TPE)
Cable sheath color	Gray (standard version) Blue (Ex version)

4.3 Possible marking of the load cell for the Ex area

Zone	Marking	Certificate no.	for
0 and 1	II 1G Ex ia IIC T6 Ga Ex ia IIC T6 Ga	BVS 16 ATEX E 005 IECEX BVS 16.0005	only PR 6241/..E
20 and 21	II 1D Ex ta IIIC T160 °C Da Ex ta IIIC T160 °C Da	TÜV 03 ATEX 2301X IECEX TUN 17.0025X	all PR 6241 without /..E
2	II 3G Ex nA IIC T6 Gc	MIN16ATEX001X	all PR 6241 without /..E
22	II 3D Ex tc IIIC T85 °C Dc	MIN16ATEX001X	all PR 6241 without /..E
	IS CL I, II, III, DIV 1, GP A, B, C, D, E, F, G Entity - 4012 101 5688 NI CL I, II, III, DIV 2, GP A, B, C, D, E, F, G - 4012 101 5688; NIFW T4A Ta= -40°C to 70°C; T5 Ta= -40°C to 55°C	FM17US0276	all PR 6241 without /..E
	IS CL I, II, III, DIV 1, GP A, B, C, D, E, F, G Entity - 4012 101 5688 NI CL I, II, III, DIV 2, GP A, B, C, D, E, F, G - 4012 101 5688; NIFW T4A Ta= -40°C to 70°C; T5 Ta= -40°C to 55°C	FM17CA0138	all PR 6241 without /..E

NOTICE

Installation in the Ex area

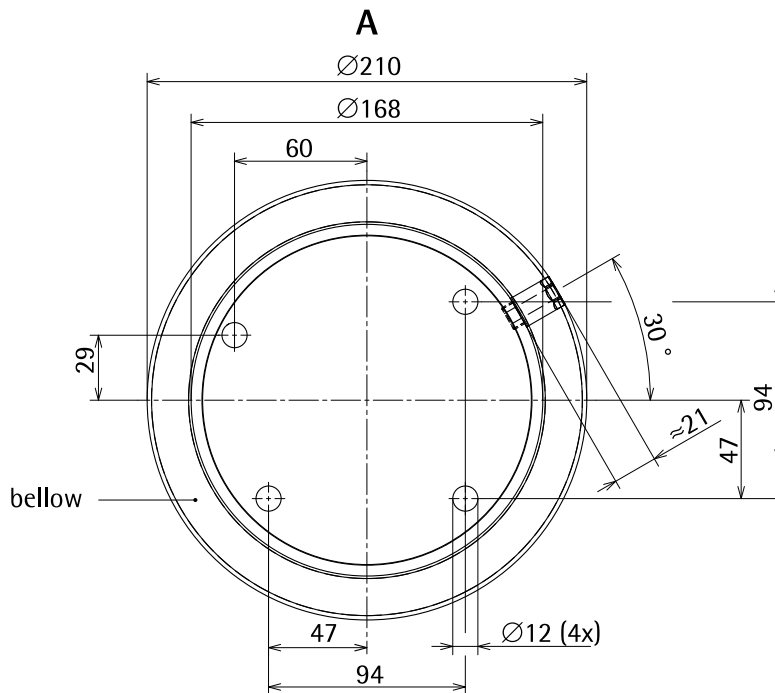
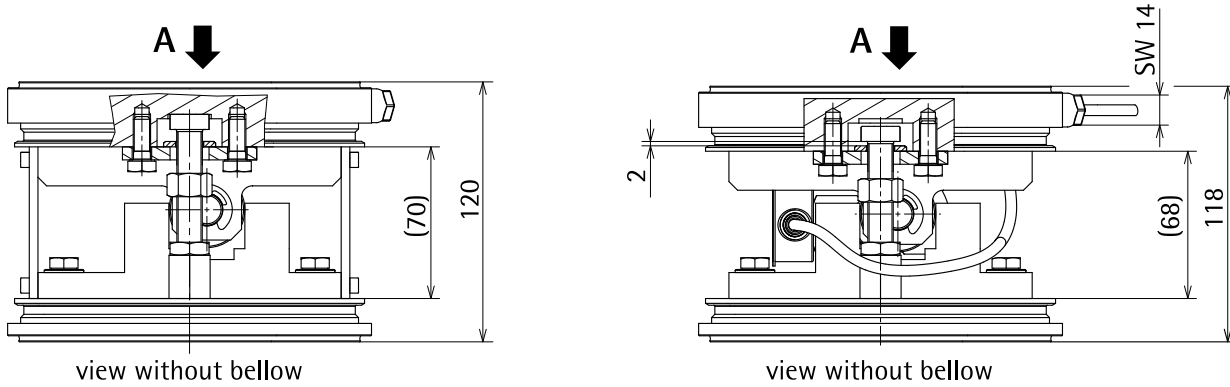
- For installations in the Ex area, it is imperative to observe the Ex safety instructions in the installation manuals.

4.4 Dimensions of the PR 6041/60S weighing module

Weighing module incl. load cell

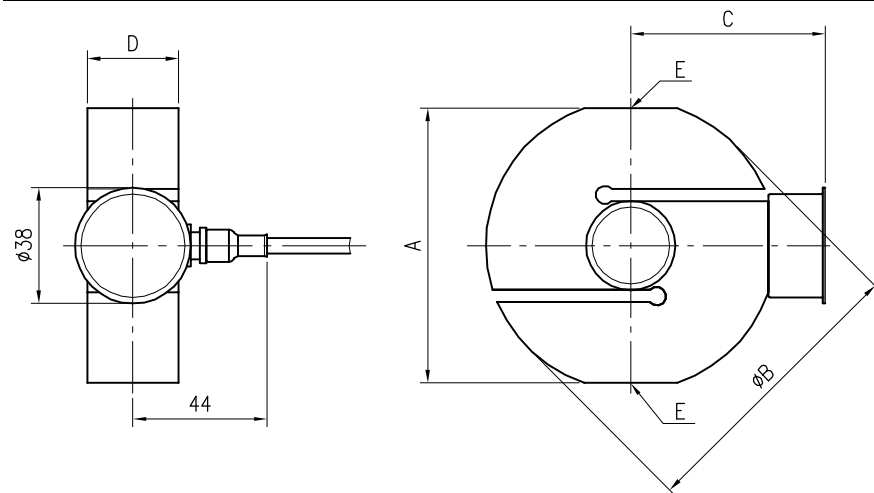
**As-delivered state:
with auxiliary mounting plates**

Weighing position



dimensions in mm

all

Load cell

all dimensions in mm

Model	A [mm]	B [mm]	C [mm]	D [mm]	E [mm]
PR 6241/12...52	60	65	50	23	M12
PR 6241/13...23	60	65	50	30	M12

4.5 Ordering information**Weighing module incl. load cell**

Model	Max. capacity E_{max}	Type	Version*
Contego® 100 kg	100 kg	D1	A
Contego® 200 kg	200 kg	D1, C3	A, Ex A
Contego® 300 kg	300 kg	D1, C3	A
Contego® 500 kg	500 kg	D1, C3	A, Ex A
Contego® 1 t	1 t	D1, C3	A, Ex A
Contego® 2 t	2 t	D1, C3	A

Version*	Description
A	Side cable output
Ex	Ex = for installation in the explosion-hazarded area

Load cell

Model	Max. capacity E_{max}	Type
PR 6241/12	100 kg	..D1
PR 6241/22	200 kg	..D1/C3/C3E
PR 6241/32	300 kg	..D1/C3
PR 6241/52	500 kg	..D1/C3/C3E
PR 6241/13	1 t	..D1/C3/C3E
PR 6241/23	2 t	..D1/C3

4.6 Technical data of the load cell

Designation	Description	Abbr.	D1	C3	Unit
Accuracy class			0.04	0.015	% E _{max}
Minimum dead load	lowest limit of specified measuring range	E _{min}	0	0	% E _{max}
Maximum capacity	highest limit of specified measuring range	E _{max}	See Chapter 4.5		
Safe load limit	maximum load without irreversible damage	E _{lim}	150	150	% E _{max}
Destructive load	danger of mechanical destruction	E _d	>300	>300	% E _{max}
Minimum LC verification	minimum load cell scale interval, $v_{min} = E_{max}/Y$	Y	5000	14000	
Minimum preload signal recurrence	recurrence of the minimum preload signal (DR = $\frac{1}{2} \times E_{max}/Z$)	Z	1000	3000	
Rated output	relative output at maximum capacity	C _n	2	2	mV/V
Tolerance on rated output	permissible deviation from rated output C _n	d _c	<0.25	<0.07	% C _n
Zero output signal	load cell output signal under unloaded condition	S _{min}	0 ±1.0	0 ±1.0	% C _n
Repeatability	max. change in load cell output for repeated loading	ε _R	<0.01	<0.005	% C _n
Creep	max. change of output signal at E _{max} during 30 minutes	d _{cr}	<0.03	<0.015	% C _n
Non-linearity ¹⁾	deviation from best straight line through zero	d _{Lin}	<0.03	<0.01	% C _n
Hysteresis ¹⁾	max. difference in LC output between loading and unloading	d _{hy}	<0.04	<0.015	% C _n

Designation	Description	Abbr.	D1	C3	Unit
Temperature effect on S_{min}	max. change of S_{min} in ambient temperature range	TK_{Smin}	<0.028	<0.01	% $C_n/10\text{ K}$
Temperature effect on $C^{1)}$	max. change of C in ambient temperature range	TK_C	<0.03	<0.01	% $C_n/10\text{ K}$
Input impedance	between supply terminals	R_{LC}	650 ± 6	650 ± 6	Ω
Output impedance	between measuring terminals	R_O	610 ± 1	610 ± 0.5	Ω
Insulation impedance	between measuring circuit and housing, $U_{DC} = 100\text{ V}$	R_{IS}	>5000	>5000	$M\Omega$
Insulation voltage	between circuit and housing (Contego®..kg .. Ex .. only)		500	500	V
Recommended supply voltage	to hold the specified performance	B_u	4...24	4...24	V
Max. supply voltage	permissible for continuous operation without damage	U_{max}	28	28	V
	for Contego®..kg .. Ex ..	U_{max}	25	25	V
Nominal ambient temp. range	to hold the specified performance	B_T	-10...+55	-10...+55	$^{\circ}\text{C}$
Usable ambient temp. range	permissible for continuous operation without damage	B_{Tu}	-40...+95	-40...+95	$^{\circ}\text{C}$
Storage temperature range	without electrical and mechanical stress	B_{Ti}	-40...+95	-40...+95	$^{\circ}\text{C}$
Permissible eccentricity	permissible displacement from nominal load line	S_{Ex}	5	5	mm
Vibration resistance	resistance against oscillations (IEC 60068-2-6-Fc)		20 g, 100 h, 10...150 Hz		
Barometric pressure influence	influence of barometric pressure on output	PK_{Smin}	≤ 0.005	≤ 0.0025	% C_n/kPa
Nominal deflection	elastic deformation under maximum capacity	S_{nom}	<0.5	<0.5	mm

1) The data for non-linearity (d_{Lin}), hysteresis (d_{hy}) and temperature effect on C (TK_C) are typical values.
For OIML R60 or NTEP approved load cells the sum of these values is within the permissible cumulative error limits.

Definitions acc. to OIML R60

The technical data given are intended solely as a product description and should not be interpreted as guaranteed properties in the legal sense.

NTEP: min. scale interval of the load cells v_{min}

	Type	Divisions n_{max}	100 kg	200 kg	300 kg	500 kg	1 t	2 t	Unit
Class III multiple	D1/D1E	2000	20	40	60	100	200	400	g
	C3/C3E	5000	...	14.3	21	36	71	143	g
Class III L multiple	D1/D1E	5000	6.7	13.3	20	33	67	133	g
	C3/C3E	10000	...	5	7.1	12	24	48	g

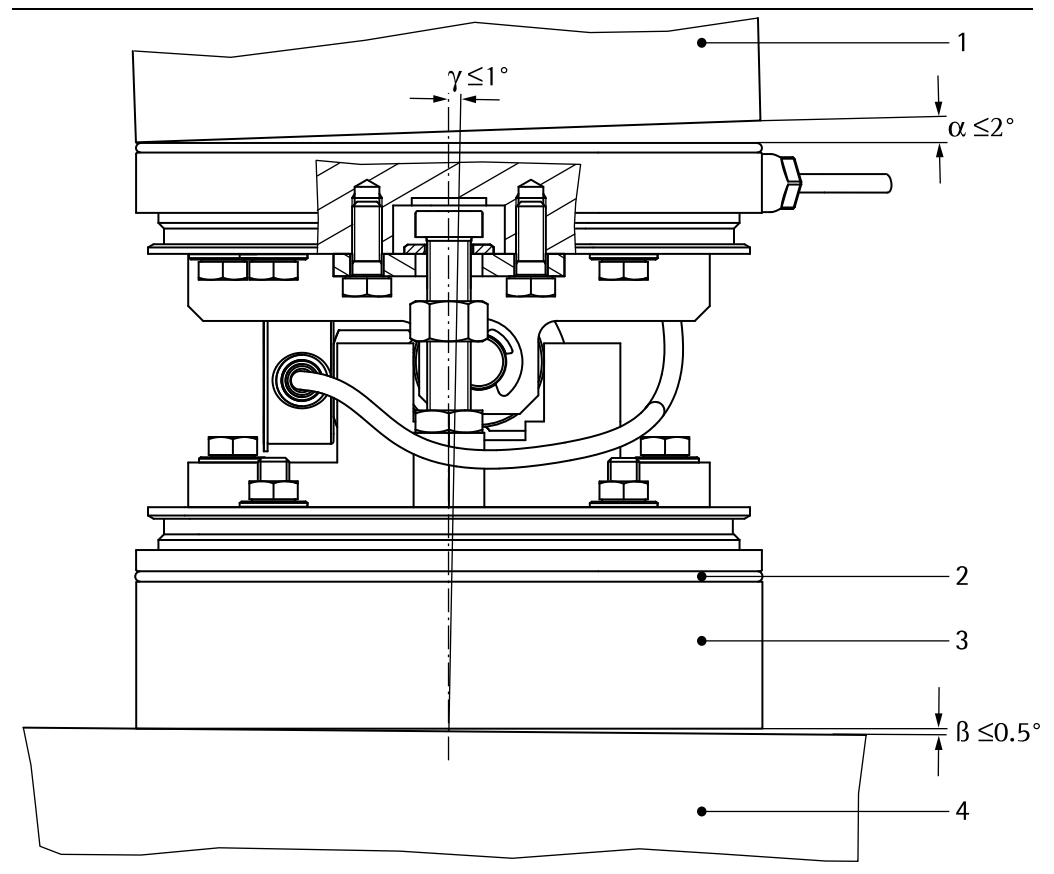
5 Installation

5.1 Prior to mounting

5.1.1 Preparing the ground

The ground must be as follows:

- horizontal (spirit level!) supporting/sealing surface
- flat supporting/sealing surface
- sufficient load carrying capacity for the provided loads



NOTICE

No leak-tightness of the supporting/sealing surface present between lower plate of weighing module and ground.

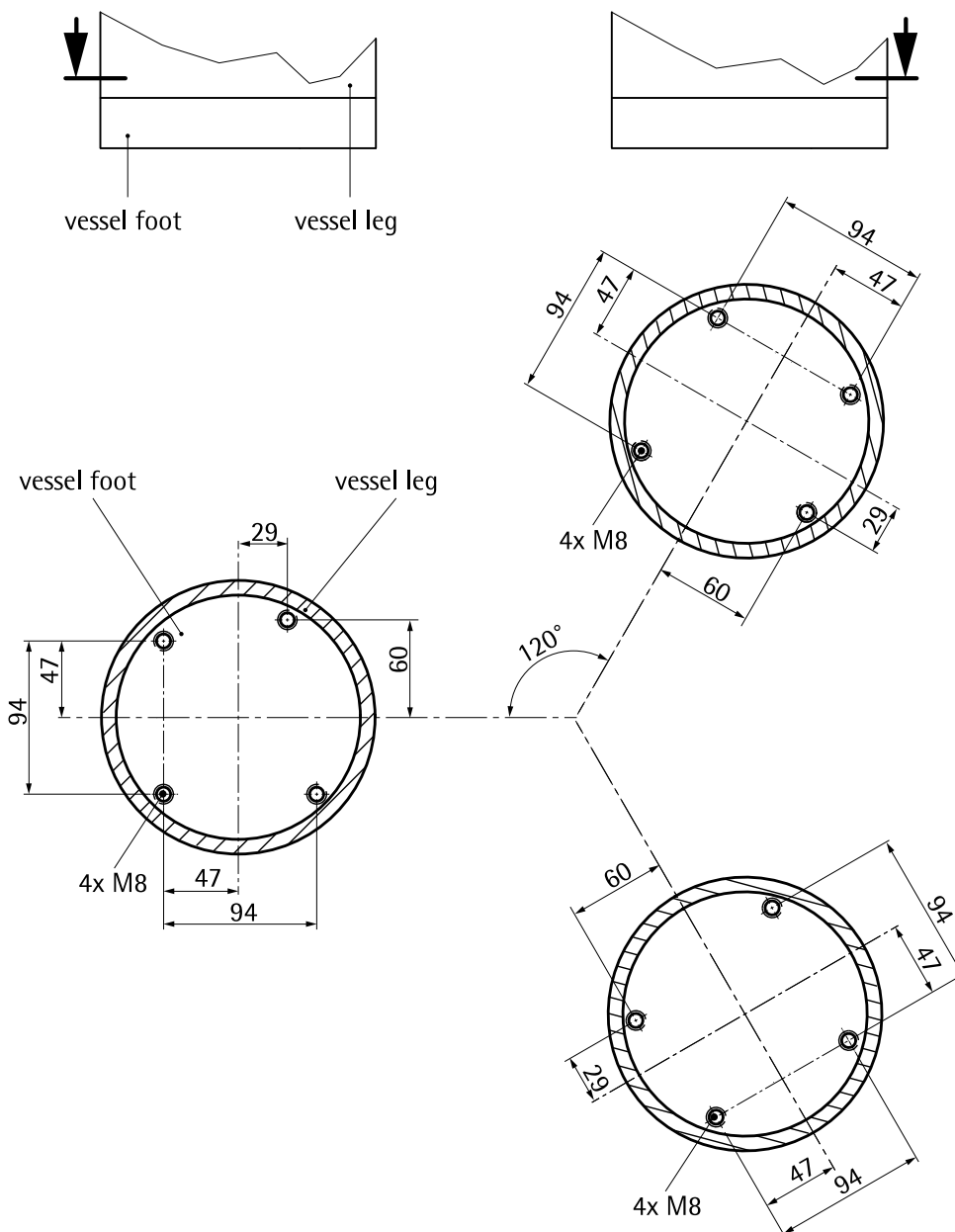
To ensure tightness, we recommend using a PR 6041/80S adapter plate.

- ▶ The joint between the ground (4) and adapter plate (3) must be sealed.
- ▶ If no adapter plate PR 6041/80S is used, (see Chapter [11.2.4](#)) the seal between the lower plate of the weighing module and ground (4) must be ensured using an O-ring (2).

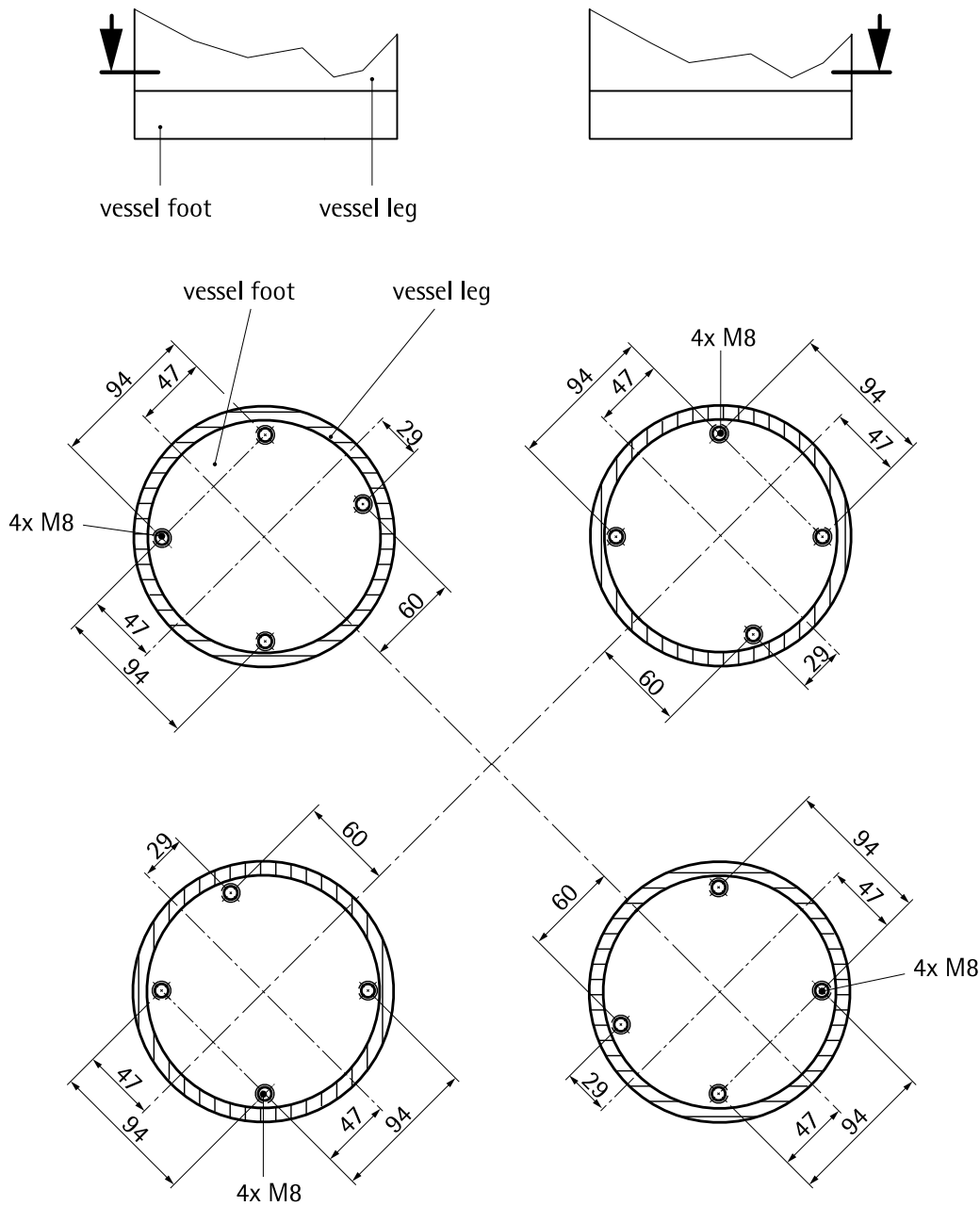
- ▶ The load distribution on the available load cells must be as even as possible to prevent overload of the individual load cells.
- ▶ If the weighing modules are arranged on different bases, these must be at the same level.
- ▶ The supporting surfaces of the pendulum bases (3) and the supporting surfaces of the vessel feet (1) must be arranged in parallel.
- ▶ It is imperative to observe the maximum permissible inclination; refer to figure!

5.1.2 Preparing vessel foot

Layout example for 3 weighing modules



Layout example for 4 weighing modules



Create the drilling pattern of the upper plate of the weighing module (see Chapter 4.4) for each vessel foot depending on the location of weighing modules (see Chapter 3.1).

Note:

The diameters of the vessel foot, vessel leg, and lower plate of the weighing module (see Chapter 4.4) must be the same for easy cleaning of the weighing module.

5.2 Tightening torques

The corresponding tightening torques are given in the following table.

Mounting parts	Thread	Washer	Tightening torque
Upper plate	M8-A2-70	*	16.5 Nm
Lower plate	M8-A2-70	*	16.5 Nm
Lift-off protection	M8-A2-70		16.5 Nm
Threaded bush	M8x2		68.0 Nm
Stop	M8-A2-70		16.5 Nm

*

Recommendation for the washers of M8 mounting screws: DIN 7349 (d = 21, h = 4) or DIN 9021 or ISO 7093-2 (d = 24, h = 2)

5.3 Assembly

5.3.1 Safety instructions

WARNING

The vessel may turn over during mounting.

Securing the vessel against tipping is imperative.

- ▶ Use an appropriate lifting jack.

NOTICE

The bellow and the O-rings are delicate mounting parts.

- ▶ Do not use sharp-edged tools.

NOTICE

No leak-tightness of the contact surfaces present.

The following contact surfaces must be clean and level to ensure reliable sealing:

- ▶ between upper plate and vessel foot
- ▶ between lower plate, adapter plate (if any), and foundation

Note:

The weighing module is delivered preassembled.

The lift-off protector is adjusted in a way that the load cell is unloaded. Thus overloading the load cell during installation is prevented.

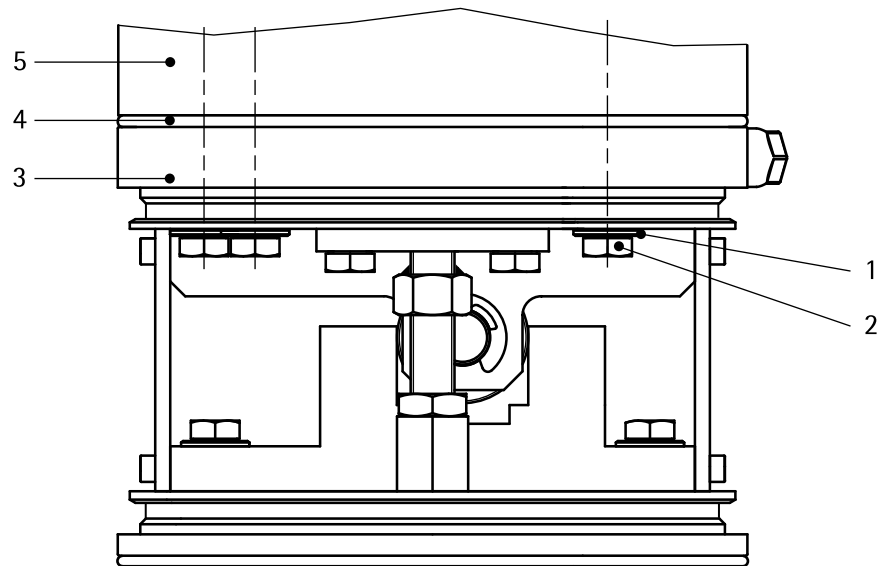
When using adapter plates, a 13mm socket wrench with insert according to DIN 3124 (long version) is required for mounting.

5.3.2 Mounting the weighing module

Note:

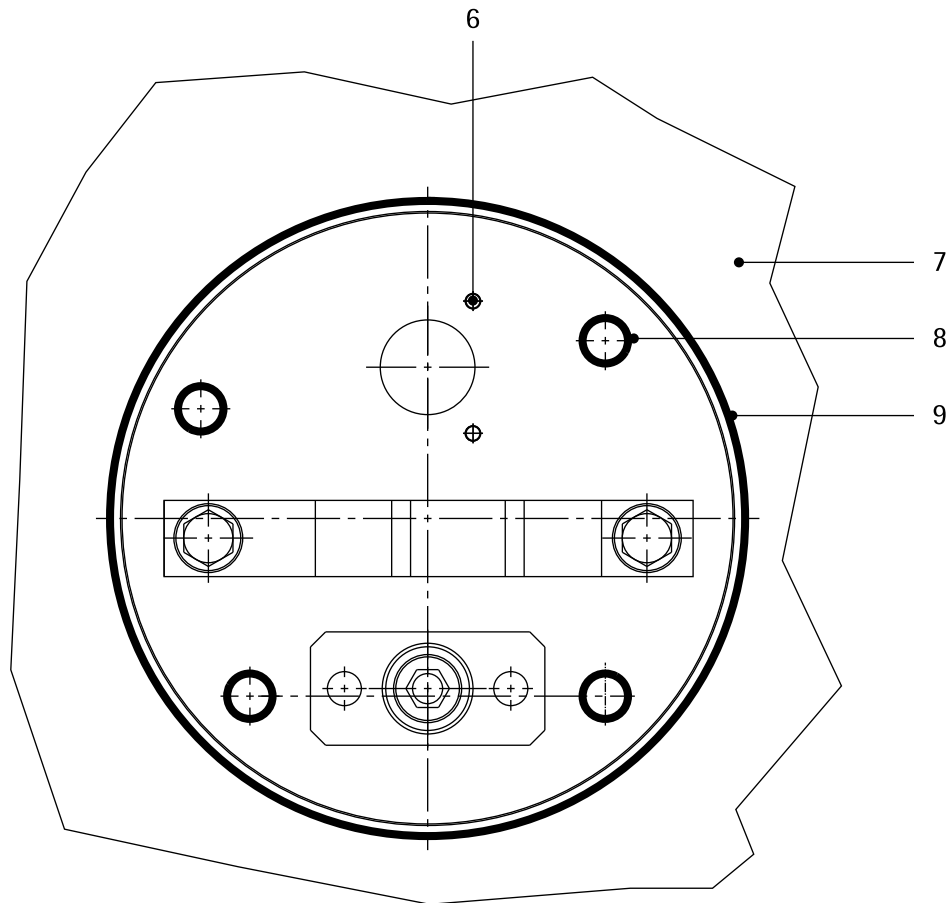
The following describes how to mount the load cell with the adapter plate PR 6041/80S (see Chapter [11.2.4](#)).

The operations must be performed at all supporting points (e.g. vessel foot) of the weighing object (e.g. vessel).



1. Check if all threaded holes required for mounting in the vessel foot/lug are provided.
2. Insert the O-ring (4) into the groove of the upper plate (3) and put the weighing module under the vessel foot (5).
3. Slip the bellows (not shown) over the mounting kit and the vessel foot (5) carefully so that the mounting kit remains accessible for mounting.
4. Fit the mounting kit to the vessel foot (5). Make sure to observe the tightening torque of the screws (2) and the property classes of the screws (2) and washers (1), see Chapter [5.2](#).

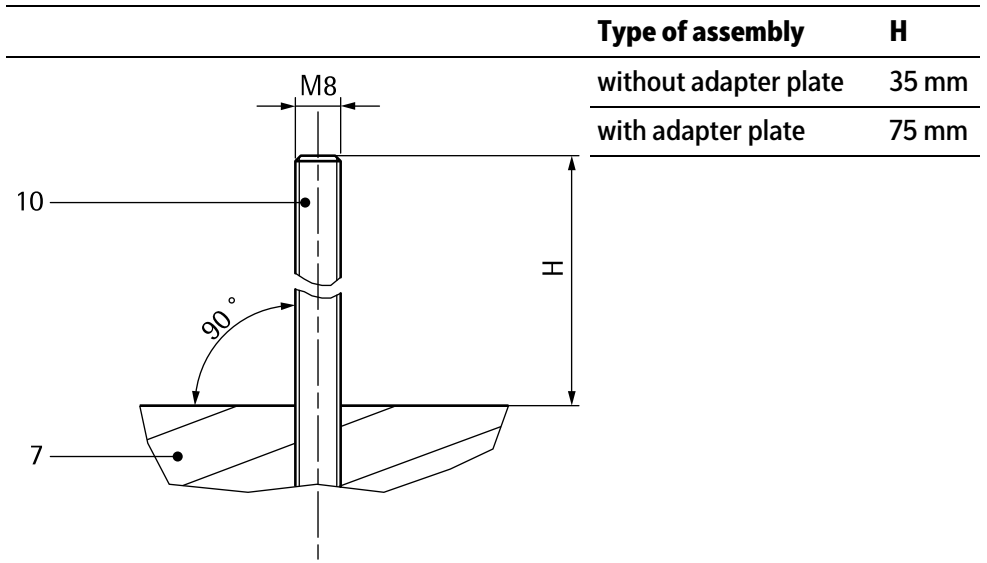
5.3.2.1 Assembly steps for floor installation



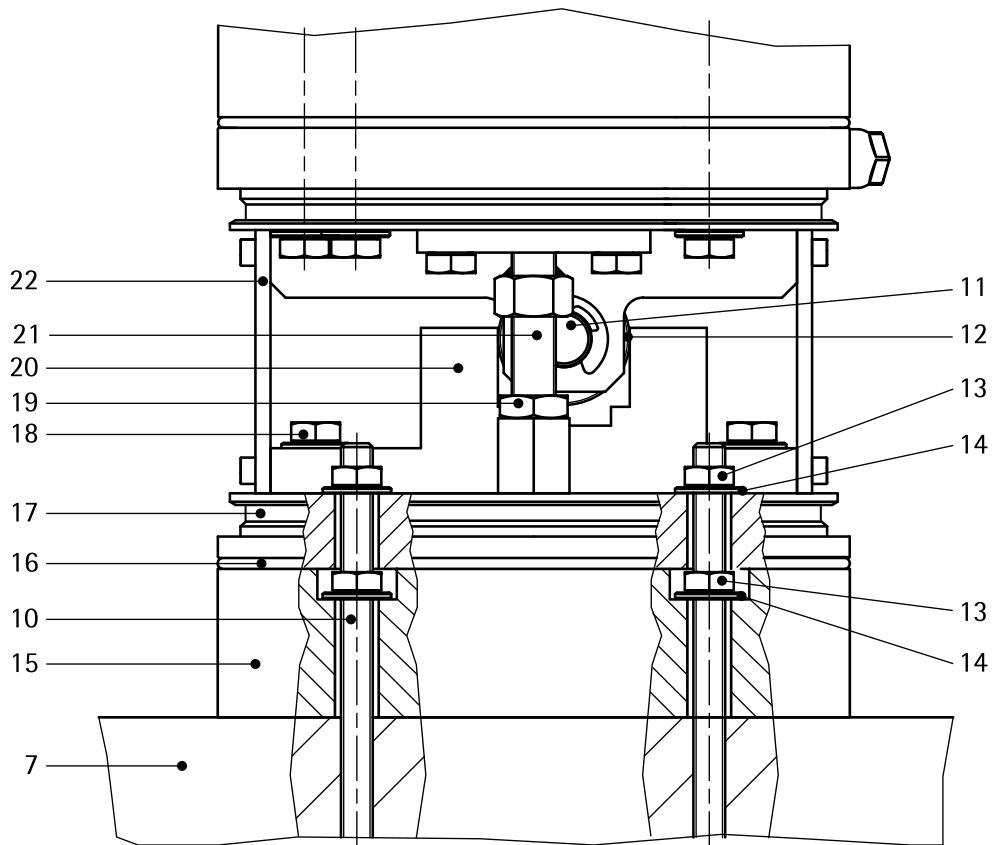
Shown without upper plate and load cell

1. Position the vessel on the bottom (7).
2. Mark the boreholes (8) and the seating (9) (outline) of the lower plate on the bottom (7), see figure.

3. Lift the vessel.
4. Make the drill holes for the threaded pins/stud screws (10).



5. It is indispensable to insert the threaded pins/stud screws (10) vertically with the required height 'H'.



6. When using PR 6041/80S adapter plates: Place adapter plate (15) on the bottom (7) within the outline marking (9).
7. When using PR 6041/80S adapter plates: Mount the adapter plate using screws (15). Make sure to observe the tightening torque of the nuts (13) and the property classes of the nuts (13) and washers (14), see Chapter 5.2.

8. Insert the O-ring (16) into the groove of the lower plate (17).
9. Lower the vessel onto the bottom (7)/adapter plates (15) and the lower plate (17) using screws. Make sure to observe the tightening torque of the nuts (13) and the property classes of the nuts (13) and washers (14), see Chapter [5.2](#).
10. Only applicable to PR 6241/12...52 load cells: Take the two bushes out of the bag and fit them on the two pins (6).
11. Remove auxiliary mounting plates (22); if necessary, use the lift-off protector; see Chapter [3.4.2](#).
12. Loosen the nut (19) of the lift-off protection.
13. Slowly turn the threaded bolt of the lift-off protector (21) at the hex downwards to lower the vessel onto the load cell.
14. Afterwards, adjust the lift-off protector; refer to Chapter [3.4.3](#).
15. Check whether shaft (11) or/and roller (12) can move freely.
If shaft (11) or/and roller (12) cannot be moved, the weighing module is distorted and must be adjusted:
16. Release the screws (18).
17. Shift the stopper (20), until shaft (11) or/and roller (12) can move freely again.
18. Re-tighten the screws (18). Make sure to use the correct tightening torque, see Chapter [5.2](#).
Installing the bellow:
19. Shift off the bellow from the vessel foot.
20. Fit the bellow, press it firmly into the groove of the upper and lower plate circumferentially, and make sure that the transitions are flush.

6 Connection

6.1 General information

- Protect the cable ends against contamination. Moisture must not get into the open end of the cable.
- Do not shorten the load cell connecting cable. Connect the prepared cable end and roll up the remaining cable.
- The cable screen may be connected only to the connecting terminals of the indicator.
- Keep the load cell cables away from power cables.
- The distance between measurement cables and power cables and/or components under high voltage should be at least 1 m (reference value).
- We recommend laying the load cell cables in separate cable trays or armored steel pipes.
- Power cables should be crossed at right angles while taking into account the minimum distance of 1 m (reference value).

Note:

If hum interference occurs, the cable screens should only be connected on one side.

Depending on the design of the cable junction box used, either the jumper J3 must be removed or the cable screens must be disconnected from the terminal contacts highlighted in yellow.

⚠ WARNING**When installing in potentially explosive atmospheres:**

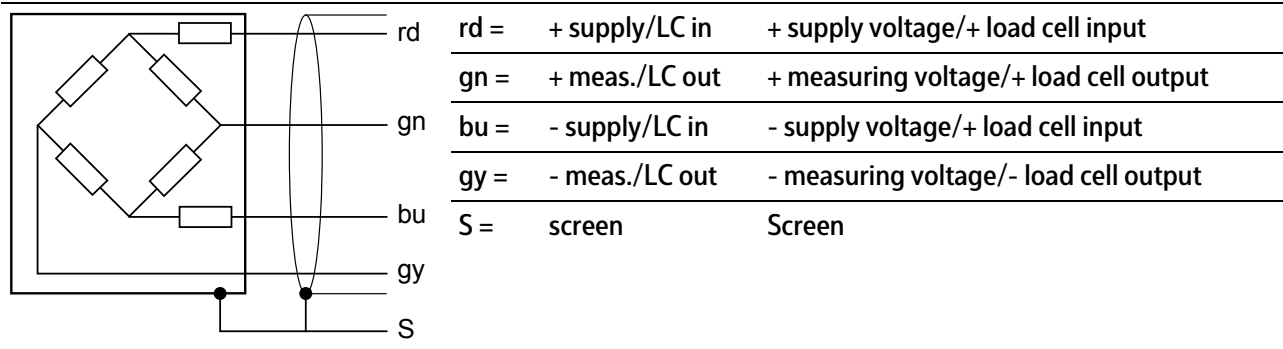
It is imperative that you follow the application-dependent installation instructions!

- ▶ Always check whether it is permissible to bilaterally connect the screens to the equipotential bonding.
-

6.2 Load cell

Color Code

rd	=	red
gn	=	green
bu	=	blue
gy	=	gray



6.3 Cable connections

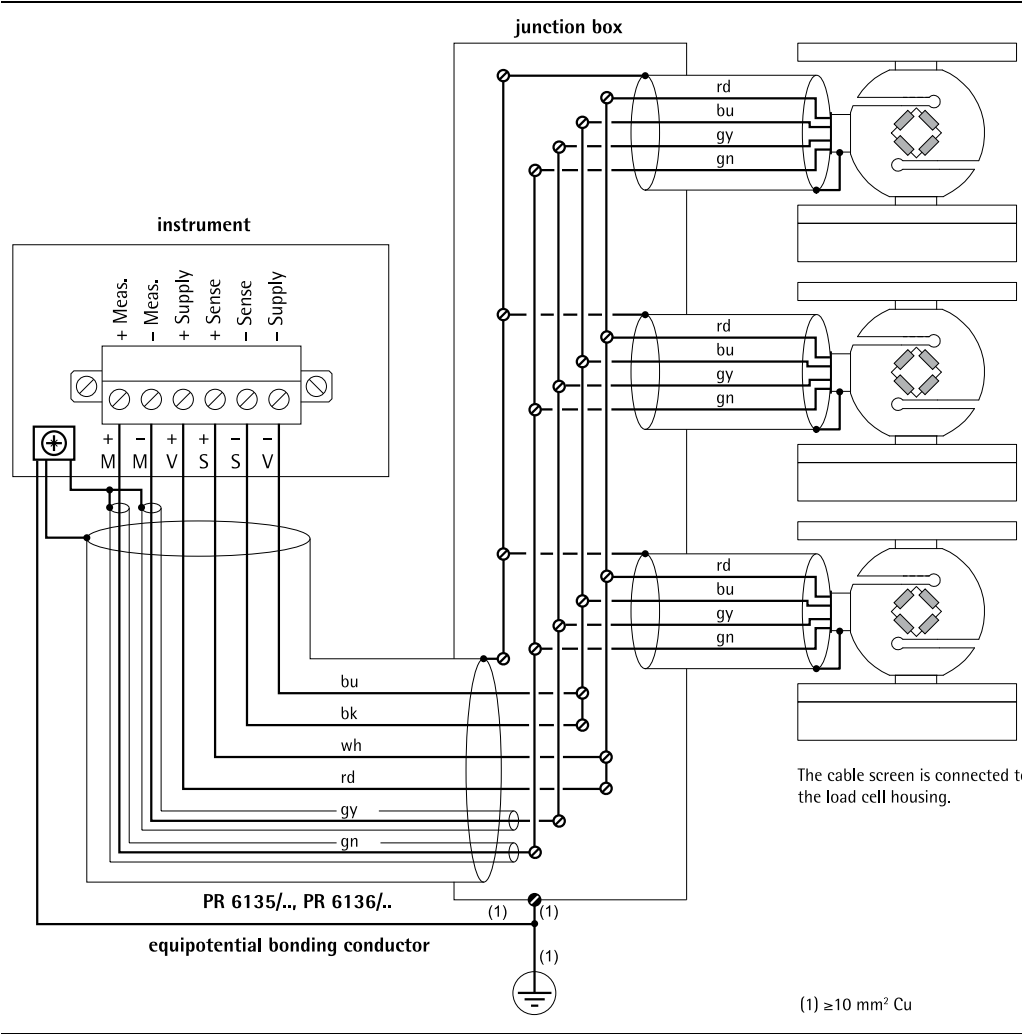
Note:

All components are only shown schematically.

Color code

bk	=	black
bu	=	blue
gn	=	green
gy	=	gray
rd	=	red
wh	=	white

Connection example



7 Preparing for calibration

7.1 General notes

Note:

For calibration of the measuring system, please refer to the manual of the corresponding indicator.

7.2 Smart Calibration

When using Minebea Intec devices, we recommend always running "Smart Calibration" first.

This allows all required values to be extracted from the Calibration Certificate supplied.

- The "Hysteresis correction values for Smart Calibration" listed on the Calibration Certificate are entered for [Correction A] and [Correction B] under [Hysteresis error] - [specified] in the indicator.

If the values are not available on the Calibration Certificate, [Hysteresis error] - [not specified] must be selected.

- The value listed under "Output at max. capacity" on the Calibration Certificate is entered in the indicator under [LC output at max. capacity].
- The value listed under "Output impedance" on the Calibration Certificate is entered in the indicator under [LC output impedance].

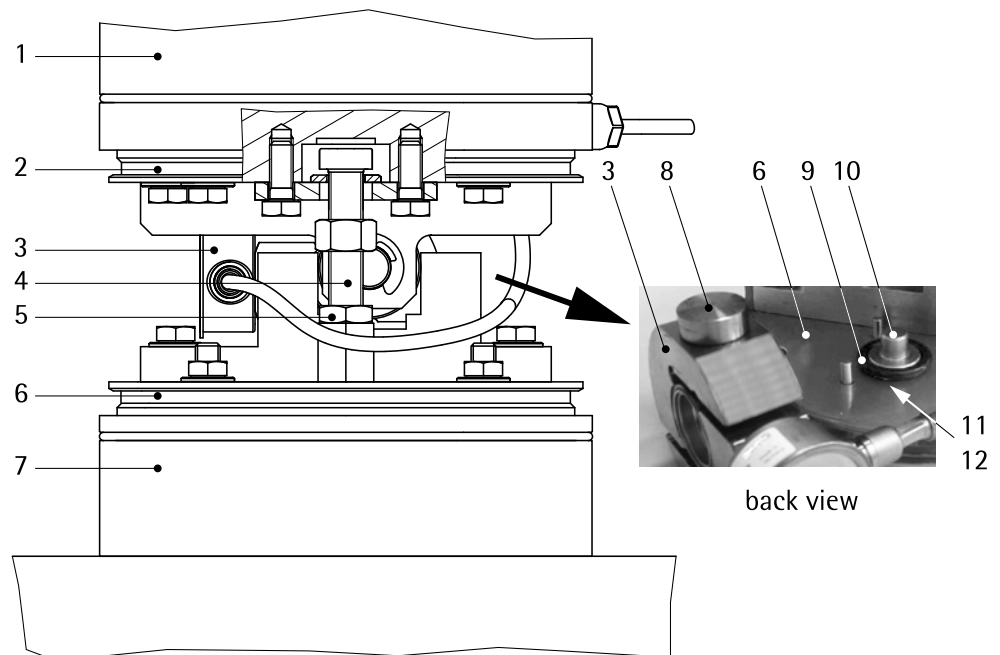
By performing these steps, a logical and highly accurate reading (typically better than 0.1%) is generated before the scale is even loaded for the first time.

7.3 Mechanical height adaptation

To distribute the load over the load cells as evenly as possible, height adaptation is required in systems with more than 3 load cells prior to calibration.

Procedure:

1. Place the dead load (e.g. empty vessel) onto the load cells of the scale structure.
2. Energize the load cells in parallel with a stabilized voltage (e.g.: $U_{DC} = 12\text{ V}$).
3. Measure the output voltages of each individual load cell by means of a digital voltmeter and compare the individual values.
 - ▷ Given deviation between the output voltages of the load cells, the load on the load cell with the lowest output voltage must be increased by putting shims between mounting plate and weighing construction.



4. Slip the bellows (not shown) upwards over the mounting kit and the vessel foot (1) or downwards over the adapter plate (7) with care.
5. Loosen the nut (5) of the lift-off protector.
6. Turn the threaded bolt (4) of the lift-off protector at the hex until the load cell (3) is unloaded and can be removed together with the two load discs (do not misplace the O-ring (9) of the lower load disc (10)).
7. Remove the socket (11) from the lower plate (6) recess (12) (use a short strip of adhesive tape or a screwdriver if necessary).
8. Place thin, deburred sheet-metal plates (max. 2 mm total thickness) into the recess (12), see Chapter 4.1.
9. Insert the socket (11) and lower load disc (10) including O-ring (9) into the recess (12) of the lower plate (6).
10. Insert the upper load disc (8) into the load cell (3).
11. Place the load cell (3) onto the lower load disc (10).
12. Slowly turn the threaded bolt of the lift-off protector (4) downwards at the hex to lower the vessel onto the load cell. Make sure that the upper load disc (8) slides into the recess of the upper plate (2).
13. Measure the output voltages of the load cells again and adjust the height of this load cell or of another one.
14. Adjust the internal lift-off protector; refer to Chapter 3.4.3.
15. Fit the bellows, press it firmly into the groove of the upper and lower plate circumferentially, and make sure that the transitions are flush.

8 Troubleshooting

8.1 General Notes

The following hints will enable a technician to do an initial diagnostic or help in case of incorrect or non-reproducible weighing results after commissioning and calibration.

8.2 Visual inspection

Component	Possible errors
Weighing object	Are all pipes, hoses and cables free from shunt forces? Are the connections pliable and connected horizontally? Are elements with a solid connection to the scale in direct contact with the surroundings? Has friction developed between the weighing object and its surroundings (e.g. dusty openings, ...)?
Cable junction box	Has moisture intruded? Do all soldering and screw connections have secure contact?
Connecting cables	Is the sheath damaged? Has moisture intruded?
Mounting kit	Is the lift-off protection in contact with the scale? Is the stopper stuck?
Load cell	Is the load cell parallel to the contact area? Is the adjustment chamber cover damaged? Is the sheath of the load cell cable damaged? Has moisture penetrated into the load cell cable?

8.3 Metrological controls

8.3.1 Checking the zero output signal of the load cell

- Unload load cell.
- Disconnect the load cell measuring outputs.
- Check whether the output voltage without load is within the limits.

Type	Output voltage
D1, C3	$0 \pm 0.02 \text{ mV/V}$

8.3.2 Checking the strain gauge bridge of the load cell

- Do not exceed the test voltage.
- Check whether the values of the resistors are within the permissible limits.

Max. test voltage

- Standard version $U_{DC} = 28 \text{ V}$
- Intrinsically safe version (PR .../.E) $U_{DC} = 25 \text{ V}$

Type	Input impedance (red core, blue core)	Output impedance (green core, gray core)
D1	650 $\Omega \pm 6 \Omega$	610 $\Omega \pm 1 \Omega$
C3	650 $\Omega \pm 6 \Omega$	610 $\Omega \pm 0.5 \Omega$

8.3.3 Checking the insulation impedance of the load cell

NOTICE

Possible destruction of load cell

- ▶ Never apply test voltage between two cores of the load cell cable.
- ▶ Insulate the load cell cores.

Max. test voltage

- Standard version $U_{DC} = 100 \text{ V}$
- Intrinsically safe version $U_{AC} = 500 \text{ V}$

Insulation impedance	Core – housing	>5000 M Ω
	Core – screen	>5000 M Ω
	Screen – housing	<0.2 Ω

8.3.4 Checking the insulation impedance of the connecting cable

- Disconnect connecting cable from measuring instrument and load cells.
- Insulate the cores of the connecting cable.

Insulation impedance	Core – core	>120 M $\Omega \times \text{km}$
	Core – screen	>120 M $\Omega \times \text{km}$

9 Servicing/repairs/cleaning

9.1 Care and maintenance

9.1.1 Maintenance

The load cell PR 6241 is maintenance-free.

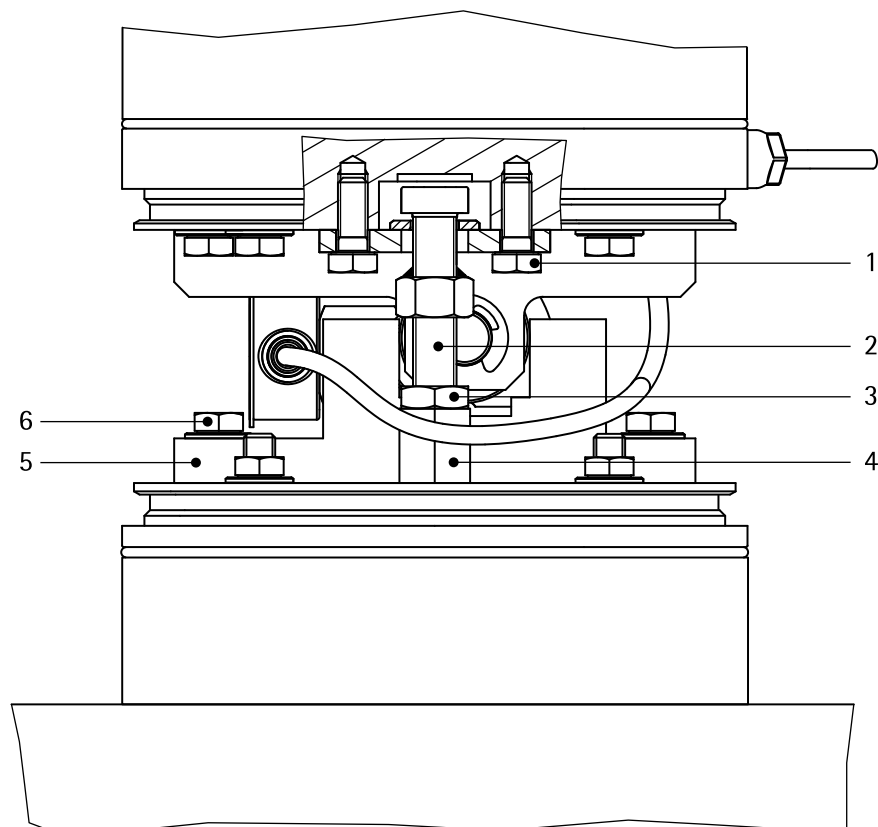
9.1.2 Replace the bellow

⚠ WARNING

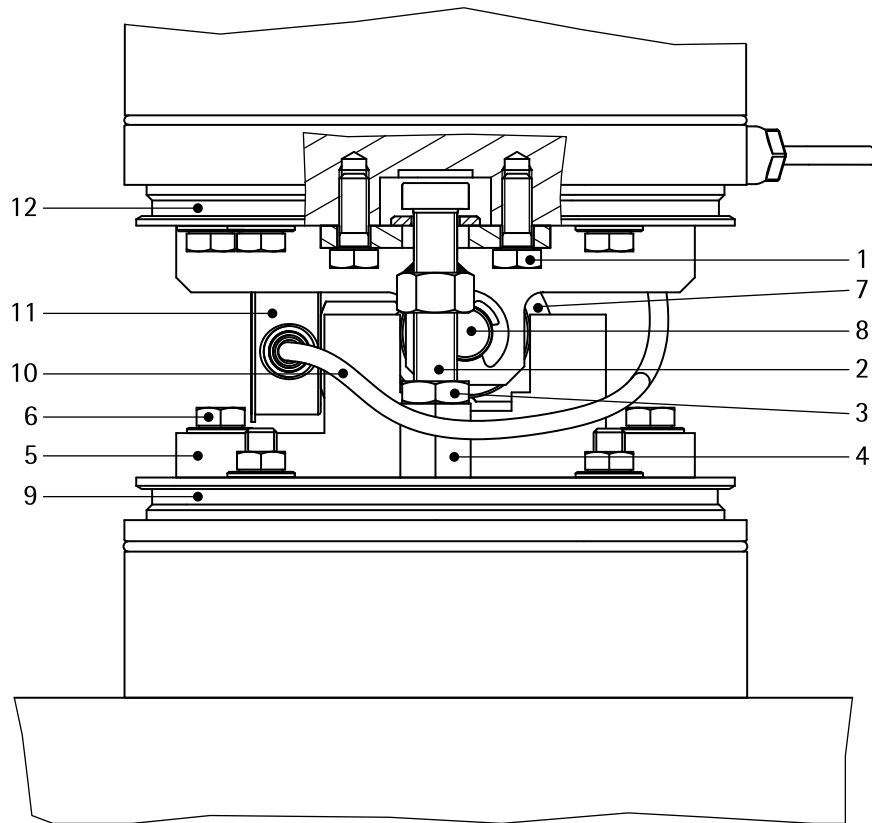
The vessel may turn over during de-/mounting.

Securing the vessel against tipping is imperative.

► Use an appropriate lifting jack.



1. Remove a defective bellow (not shown) and discard it according to the local regulations.
2. Release and remove screws (6).
3. Fold the stopper (5) onto the bottom plate and withdraw it sideways together with the film.
4. Release and remove screws (1).
5. Loosen the nut (4) and screw the threaded bolt (2) of the lift-off protector at the hex into the threaded bush (4).
6. Release and remove the threaded bush (secured with Loctite) with the complete lift-off protector.

**Note:**

Securing the threaded bush (4) with Loctite is imperative.

7. Insert a new bellow (not shown) into the weighing module carefully, until the threaded bush (4) with the lift-off protector can be re-mounted. Make sure to use the correct tightening torque, see Chapter 5.2.
8. Re-tighten the screws (1).
9. Turn up the threaded bolt (2) of the lift-off protector at the hex to lift the vessel. Turn the threaded bolt until the load cell (11) is unloaded and can be removed together with the upper load disc.
10. Pull the bellow (not shown) to the rear completely and revert the upper bead to the inside.

Note:

The load cell cable must be positioned above the bellow and in front of the lift-off protector.

11. Insert the load cell (11).
12. Slowly turn the threaded bolt of the lift-off protector (2) at the hex downwards to lower the vessel onto the load cell. Make sure that the upper load disc slides into the recess of the upper plate (12).
13. Shift the reverted bellow up to adjust the lift-off protector; refer to Chapter 3.4.3.

14. Re-screw the stopper (5) together with the film on the lower plate (9). Make sure to use the correct tightening torque, see Chapter 5.2.
If shaft (8) or/and roller (7) cannot be moved, the weighing module is distorted and must be adjusted:
15. Release the screws (6).
16. Shift the stopper (5), until shaft (8) or/and roller (7) can move freely again.
17. Re-tighten the screws (6). Make sure to use the correct tightening torque, see Chapter 5.2.
18. Fit the bellow, press it firmly into the groove of the upper and lower plate circumferentially, and make sure that the transitions are flush.

9.1.3 Replacing the load cell

⚠ WARNING

The vessel may turn over during de-/mounting.

Securing the vessel against tipping is imperative.

- ▶ Use an appropriate lifting jack.

NOTICE

Defects in the load cell may occur.

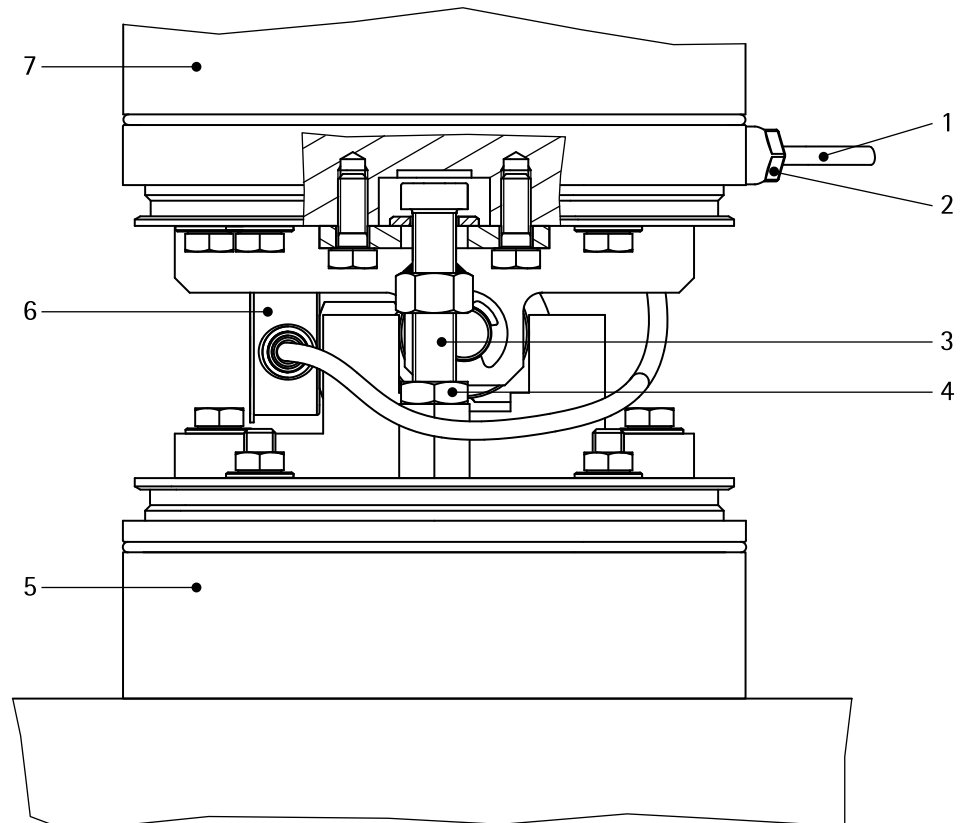
- ▶ Do not lift or transport load cells by pulling the cable.

Note:

Load cell cable gland

When turning, the position of the gland remains unchanged. Only the inner clamping is released.

1. Release the load cell cable in the junction box, pull it out carefully and roll it up.



2. Slip the bellows (not shown) upwards over the mounting kit and the vessel foot (7) or downwards over the adapter plate (5) carefully so that the mounting kit remains accessible for mounting.
3. Loosen nut (4).
4. Turn the threaded bolt (3) of the lift-off protector upwards at the hex to lift the vessel. Turn the threaded bolt until the load cell (6) is unloaded and can be removed together with the upper load disc.
5. Release the gland (2) (see also the note) only until the load cell cable (1) can be withdrawn.
6. Remove the load cell (6) from the mounting kit and take the upper load disc out of the load cell. Socket with lower load disc (including O-ring) remain in the lower plate.
7. Insert the upper load disc into the new load cell.
8. Insert the load cell.
9. Slowly turn the threaded bolt of the lift-off protector (3) downwards at the hex to lower the vessel onto the load cell. Make sure that the upper load disc slides into the recess of the upper plate.
10. Pull the load cell cable (1) through the borehole in the upper plate provided for this purpose and the cable gland (2) and insert it in stress-relieved position (loop).
The cable must **not** be in contact with the bellows inside later!
11. Tighten the cable gland (2).
12. Adjust the internal lift-off protector; refer to Chapter [3.4.3](#).
13. Fit the bellows, press it firmly into the groove of the upper and lower plate circumferentially, and make sure that the transitions are flush.

9.2 Repairs

The load cell PR 6241 is designed to be as robust as possible for the required measuring accuracy and is highly reliable.

Should an electrical or mechanical defect nevertheless occur, the load cell must be replaced.

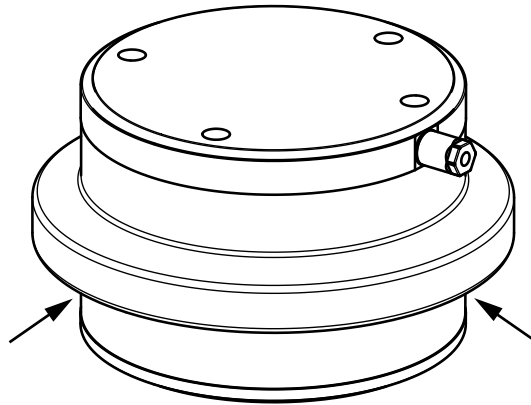
Note:

See Chapter [9.1.3](#).

Load cell repair is not possible.

9.3 Cleaning

The weighing module is easy to clean. It can be spray-washed with water (see IP69 specification).



The following must be observed:

- Spray the water jet from top to bottom and around the weighing module.
- Take particular care that the underside of the fold (see arrow) is also washed.

NOTICE

Some cleaning agents may not be compatible with the weighing module material.

- ▶ When using cleaning agents, ensure that their compatibility with the weighing module material has been tested and approved (see Chapter [4.2](#)).
-

10 Disposal

If the packaging is no longer required, please take it to your local waste disposal facility and/or a reputable disposal company or collection point. The packaging largely consists of environmentally friendly materials which can be used as secondary raw materials.

It is not permitted—even for small businesses—to dispose of this product with the regular household waste or at collection points run by local public waste disposal companies.

EU legislation requires its Member States to collect electrical and electronic equipment and dispose of it separately from other unsorted municipal waste so that it can then be recycled.

Before disposing of or scrapping the product, any batteries should be removed and taken to a suitable collection point.

Please see our T&Cs for further information.

Service addresses for repairs are listed in the product information supplied with the product and on our website (www.minebea-intec.com).

We reserve the right not to accept products that are contaminated with hazardous substances (ABC contamination) for repair.

Should you have any further questions, please contact your local service representative or our service center.

Minebea Intec GmbH

Repair center

Meiendorfer Strasse 205 A

22145 Hamburg, Germany

Phone: +49.40.67960.666

service.HH@minebea-intec.com

11 Spare parts and accessories

11.1 Replacement parts

No.	Description	Order no.
1	Bellow	5312 530 28003
2	O-rings (qty: 2)	5312 530 58007
3	Cable gland (on side)	5312 505 48021
4	Bolt set (incl. retaining rings, bolts and castor)	5312 525 48003
5	Film	5312 693 98119

11.2 Accessories

11.2.1 Load discs

To install the load cell, the following load discs are recommended:

No.	Description	Max. capacity	Order no.
1	Load disc kit PR 6043/31S (incl. O-ring)	100 kg–2 t	9405 360 43312

S = stainless steel

11.2.2 Connecting cables

To connect the junction box to the weighing electronics, we recommend using the following connecting cables:

No.	Description	Order no.
1	PR 6135/xx	9405 361 35xx2
2	PR 6135/01A (armored)	9405 361 35019
3	PR 6136/xx (for installation inside the explosion-hazarded area)	9405 361 36xx1
4	PR 6136/01A (armored, for installation inside the explosion-hazarded area)	9405 361 36019

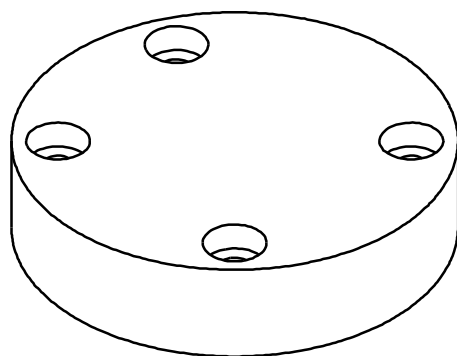
11.2.3 Cable junction boxes

We recommend using the following junction boxes:

No.	Description	Order no.
1	PR 6130/04 (aluminum, 1–4 load cells, IP67; not for Contego®..kg .. Ex ..)	9405 361 30044
2	PR 6130/08 (polycarbonate, 1–8 load cells, IP65; not for Contego®..kg .. Ex ..)	9405 361 30084
3	PR 6130/34Sa (1.4301, 1–4 load cells, IP68, IP69, verifiable; not for Contego®..kg .. Ex ..)	9405 361 30344
4	PR 6130/35S (1.4301, 1–4 load cells, IP68, IP69, verifiable; not for Contego®..kg .. Ex ..)	9405 361 30354

No.	Description	Order no.
5	PR 6130/38S (1.4404, 1–8 load cells, IP68, IP69, verifiable; not for Contego®..kg .. Ex ..)	9405 361 30384
6	PR 6130/64Sa (1.4301, 1–4 load cells, IP68, IP69, verifiable, ATEX, IECEX, FM)	9405 361 30644
7	PR 6130/65S (1.4301, 1–4 load cells, IP68, IP69, verifiable, ATEX, IECEX, FM)	9405 361 30654
8	PR 6130/68S (1.4404, 1–8 load cells, IP68, IP69, verifiable, ATEX, IECEX, FM)	9405 361 30684

11.2.4 PR 6041/80S adapter plate



Order no.

9405 360 41802

12 Certificates/safety instructions/control drawing

Ser. no.	Description	Document no.	see Chapter
Contego:			
1	EU-Declaration of Conformity	MEU17045	12.1
PR 6241:			
1	EC-Type Examination Certificate	BVS 16 ATEX E 005	12.2
2	Certificate of Conformity	IECEX BVS 16.0005	12.3
3	EU-Type Examination Certificate	TÜV 03 ATEX 2301X	12.4
4	Certificate of Conformity	IECEX TUN 17.0025X	12.5
5	Manufacturer's Certificate	MIN16ATEX001X	12.6
6	Certificate of Conformity FM	FM17CA0138 FM17US0276	12.7 12.8
7	Control drawing FM	4012 101 5688	12.9
8	EU-Declaration of Conformity	MEU17034	12.10
9	Certificate of Conformity TR CU 020	RU Д-DE.A301.B.05345	12.11
10	Parts Certificate	DE-17-PC-PTB005	12.12
11	OIML Certificate of Conformity (PTB)	R60/2000-DE1-17.15	12.13
12	Certificate of Conformance (NTEP)	17-127	12.14
13	Certificate of Approval (NTEP-New York)	10045	12.15

12.1 MEU17045



MEU17045

EU-Declaration of Conformity

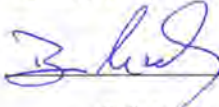


1. Product model | product number | solely valid for project number:
 Contego® - Hygienic Mount + Compression S-Type Load Cell | PR 6041/60S, 70S + PR 6241 | —
2. Name and address of the manufacturer (2.1) and his authorized representative (2.2):
 - 2.1 Minebea Intec GmbH, Meiendorfer Straße 205 A, 22145 Hamburg, Germany
 - 2.2 /
3. This declaration of conformity is issued under the sole responsibility of the manufacturer.
4. Object(s) of the declaration:
 - 4.1 PR 6041/60S + PR 6241, PR 6041/70S + PR 6241
 - 4.2 PR 6041/60S + PR 6241 (A.1), PR 6041/70S + PR 6241 (A.1)
 - 4.3 PR 6041/60S + PR 6241 (A.2), PR 6041/70S + PR 6241 (A.2)
 - 4.4 PR 6041/60S + PR 6241/____E, PR 6041/70S + PR 6241/____E
5. The object(s) of the declaration described above is in conformity with the relevant Union harmonization legislation:

	(4.1)	(4.2)	(4.3)	(4.4)
5.1	2014/30/EU	(6.1)	(6.1)	(6.1)
5.2	2011/65/EU	(6.2)	(6.2)	(6.2)
5.3	2014/34/EU	(6.3)	(6.4)	(6.5)
6. References to the relevant harmonized standards used or references to the other technical specifications in relation to which conformity is declared:
 - 6.1 2014/30/EU EN 61326-1:2013, EN 61000-4-20:2010
 - 6.2 2011/65/EU EN 50581:2012
 - 6.3 2014/34/EU EN 60079-0:2012+A11:2013, EN 60079-15:2010, EN 60079-31:2014
 - 6.4 2014/34/EU EN 60079-0:2012+A11:2013, EN 60079-31:2014
 - 6.5 2014/34/EU EN 60079-0:2012+A11:2013, EN 60079-11:2012
7. The notified body w performed x and issued the certificate y relevant for z:

	w	x	y	z
7.1	/	Manufacturer's certificate	MIN16ATEX001X	(4.2)
7.2	0032	EC-Type Examination Certificate	TÜV 03 ATEX 2301 X	(4.3)
7.3	0158	EC-Type Examination Certificate	BVS 16 ATEX E 005	(4.4)
7.4	0102	Production Quality Assessment Notification	PTB 02 ATEX Q010	(4.3), (4.4)

Minebea Intec GmbH
Hamburg, 29. May. 2017



Dr. Bodo Krebs
President



Oliver Freitag
CE Certification



Kay v.d. Heydt
Ex Approval Manager

1/6



MEU17045

EU-Declaration of Conformity

Minebea
intec
The true measure

A. Additional information on ()::

A.1	(7.1)	Marking		II 3G Ex nA IIC T6 Gc II 3D Ex tc IIIC T85°C Dc MIN. 16 ATEX 001 X
A.2	(7.2)	Marking		II 1 D Ex t IIIC T ₅₀₀ 77 °C Da IP 65 TÜV 03 ATEX 2301 X
A.3	(7.3)	Marking		II 1G Ex ia IIC T6 Ga BVS 16 ATEX E 005
A.4	(6.4)	The above-mentioned product is in line with the requirements of the directive 2014/34/EU. One or more of the European Standards mentioned are already replaced by new editions. The manufacturer declares that the product also complies with these new editions, as the changed requirements of the new Standards do not affect the product.		



EU-Declaration of Conformity



Български (bg)

Декларация за съответствие
 1. Модел на продукта / Номер на продукта / валякът също за номера на проекта:
 2. Наименование и адрес на производителя (2.1) и на неговия упълномощен представител (2.2)
 3. Настоящата декларация за съответствие е издадена на отговорността на производителя
 4. Предмет(и) на декларацията:
 5. Предметът (ите) на декларацията, описан(и) по-горе отговаря(т) на съответното законодателство на Съюза за хармонизиране.
 6. Поставяне на приложимите хармонизирани стандарти или позоваване на други технически спецификации, по отношение на които се декларира съответствие.
 7. Нотифицираният орган в извършил и издаде сертификата у, отнасян се за:
 A. Допълнителна информация за ():
 A.1 Маркировка
 A.2 Маркировка
 A.3 Маркировка
 A.4 Горепосоченият продукт съответства на изискванията на Директива 2014/34/ЕС, Емн или повече от приложимите европейски стандарти вече са заменени от нови издания. Производителът декларира, че продуктът съответства и на тези нови издания, тъй като промените изисквания на новите стандарти не засягат продукта.

Čeština (cs)

Prohlášení o shodě
 1. Model výrobku / číslo výrobku / platné pouze pro číslo projektu:
 2. Jméno a adresa výrobce (2.1) a jeho zplnomocněného zástupce (2.2)
 3. Toto prohlášení o shodě se vydává na výhradní odpovědnost výrobce.
 4. Předmět(y) prohlášení.
 5. Výše popsaný předmět / Výše popsané předměty prohlášení je/ jsou ve shodě s příslušnými harmonizačními právními předpisy Unie.
 6. Odůvodně na příslušné harmonizační normy, které byly použity, nebo na jiné technické specifikace, na jejichž základě se shoda prohlašuje.
 7. Označený subjekt v provedl x a vydal certifikát y relevantní z hlediska z:
 A. Další informace o ():
 A.1 Označení
 A.2 Označení
 A.3 Označení
 A.4 Výše uvedený výrobek je v souladu s požadavky směrnice Evropského parlamentu a Rady 2014/34/EU, jedna nebo více uvedených evropských norem již byly nahrazeny novými vydáními. Výrobce prohlašuje, že výrobek je v souladu i s těmito novými vydáními, neboť upravené požadavky těchto nových norem nemají na výrobek vliv.

dansk (da)

Overensstemmelseserklæring
 1. Produktmodel / produktnummer / gælder kun for projektnummer:
 2. Fabrikantens (2.1) og dennes bemyndigede repræsentants (2.2) navn og adresse:
 3. Denne overensstemmelseserklæring udstedes på fabrikantens ansvar.
 4. Genstand(ene) for erklæringen:
 5. Genstand(ene) for erklæringen, som beskrevet ovenfor, er i overensstemmelse med den relevante EU-harmoniseringslovgivning.
 6. Referencer til de relevante anvendte harmoniserede standarder eller til de andre tekniske specifikationer, som der erklæres overensstemmelse med.
 7. Det bemyndigede organ w har foretaget x og udstedt attesten y, der gælder for z:
 A. Supplerende oplysninger om ():
 A.1 Mærkning
 A.2 Mærkning
 A.3 Mærkning
 A.4 Ovenstående produkt opfylder kravene i direktiv 2014/34/EU. En eller flere af de anførte europæiske standarder er allerede blevet erstattet af nye udgaver. Fabrikanten erklærer, at produktet også er i overensstemmelse med de nye udgaver, idet de ændrede krav i de nye standarder ikke berører produktet.

Deutsch (de)

Konformitätserklärung
 1. Produktmodell / Produktnummer / gilt ausschließlich für Projekt-Nr.:
 2. Name und Anschrift des Herstellers (2.1) und seines Bevollmächtigten (2.2)
 3. Die alleinige Verantwortung für die Ausstellung dieser Konformitätserklärung trägt der Hersteller.
 4. Gegenstände der Erklärung:
 5. Die oben beschriebenen Gegenstände der Erklärung erfüllen die einschlägigen Harmonisierungsrechtsvorschriften der Union.
 6. Angabe der einschlägigen harmonisierten Normen oder der anderen technischen Spezifikationen, die der Konformitätserklärung zugrunde gelegt wurden:
 7. Die notifizierte Stelle w hat x und die für z relevante Bescheinigung y ausgestellt.
 A. Zusatzangaben zu ():
 A.1 Kennzeichnung
 A.2 Kennzeichnung
 A.3 Kennzeichnung
 A.4 Das oben genannte Produkt erfüllt die Anforderungen der Richtlinie 2014/34/EU. Mindestens eine der aufgeführten europäischen Normen ist bereits durch eine neue Ausgabe ersetzt worden. Der Hersteller erklärt, dass das Produkt mit diesen neuen Ausgaben ebenfalls konform ist, da die geänderten Anforderungen der neuen Normen das Produkt nicht betreffen.

Ελληνικά (el)

Δήλωση συμμόρφωσης
 1. Μοντέλο προϊόντος / αριθμός προϊόντος / ισχύει μόνο για τον αριθμό του έργου:
 2. Όνομα και διεύθυνση του κατασκευαστή (2.1) και του εξουσιοδοτημένου αναπαραστάτη του (2.2)
 3. Η παρούσα δήλωση συμμόρφωσης εκδίδεται με αποκλειστική ευθύνη του κατασκευαστή.
 4. Στόχος της δήλωσης.
 5. Ο στόχος της δήλωσης που περιγράφεται παραπάνω είναι σύμφωνος με τη σχετική ενωσιακή νομοθεσία εναρμόνισης.
 6. Παραπομπές στα σχετικά εναρμονισμένα πρότυπα που χρησιμοποιήθηκαν ή παραπομπές στις κοινές τεχνικές προδιαγραφές σε σχέση με τις οποίες δηλώνεται η συμμόρφωση.
 7. Ο κοινοποιημένος οργανισμός w διεξήγαγε x και εξέδωσε το πιστοποιητικό y όπως απαιτείται για z:
 A. Προσέτιες πληροφορίες σχετικά με ():
 A.1 Σημείωση
 A.2 Σημείωση
 A.3 Σημείωση
 A.4 Το προαναφερθέν προϊόν συμμορφώνεται με τις απαιτήσεις της οδηγίας 2014/34/ΕΕ. Ένα ή περισσότερα από τα αναφερόμενα ευρωπαϊκά πρότυπα έχουν αντικατασταθεί ήδη από νέες εκδόσεις. Ο κατασκευαστής δηλώνει ότι το προϊόν συμμορφώνεται επίσης με τις εν λόγω νέες εκδόσεις, καθώς οι τροποποιημένες απαιτήσεις των νέων προτύπων δεν επηρεάζουν το προϊόν.

español (es)

Declaración de conformidad
 1. Modelo de producto/número de producto / únicamente válido para el número de proyecto
 2. Nombre y dirección del fabricante (2.1) y de su representante autorizado (2.2)
 3. La presente declaración de conformidad se expide bajo la exclusiva responsabilidad del fabricante.
 4. Objeto(s) de la declaración:
 5. El/Los objeto(s) de la declaración descritos anteriormente son conformes con la legislación de armonización pertinente de la Unión Europea.
 6. Referencias a las normas armonizadas pertinentes utilizadas o referencias a las otras especificaciones técnicas respecto a las cuales se declara la conformidad.
 7. El organismo notificado W ha efectuado X y expedido el certificado Y relevante para Z.
 A. Información adicional en ():
 A.1 Marcado
 A.2 Marcado
 A.3 Marcado
 A.4 El producto mencionado anteriormente cumple con los requisitos de la directiva 2014/34/UE. Una o más de las normas europeas mencionadas ya se han substituido por nuevas ediciones. El fabricante declara que el producto también cumple con estas nuevas ediciones, ya que los requisitos modificados de las nuevas normas no afectan al producto.



EU-Declaration of Conformity

MEU17045



angli kiel (en)

Vastavusdeklaratsioon
 1. Tootemudel / tootenumber / tehti/said järelgmise projekti puhtil;
 2. Tootja nimi ja aadress (2.1) ning tema volitatud esindaja (2.2);
 3. Käesolev vastavusdeklaratsioon on välja antud looja nimivastutuses;
 4. Deklareeritav toode;
 5. Ühtlaselele antud deklareeritav toode on kooskõlas asjaomaste liidu ühildustasemetega;
 6. Viited kasutatud harmoneeritud standarditele või viited muudele tehnilistele spetsifikatsioonidele, millele vastavus deklareeritakse;
 7. Teavitatud asutus ja teostas s ja andis välja tõendi z, mis on asjakohane y-le;
 A. Lisatoote järgmise kohta () ;
 A.1 Märkus
 A.2 Märkus
 A.3 Märkus
 A.4 Ühtlaselele antud toode on kooskõlas direktiivi 2014/34/EÜ nõuetega. Üks või mitu näidetud Euroopa standardit on asendatud juba uute väljannetega. Tõepiselt kindlalt, et toode on kooskõlas ka nende uute väljannetega, kuna uute standardite muudatused ei mõjuta toodet.

frantsüsi (fr)

Déclaration de conformité
 1. Modèle / numéro de produit / valable uniquement pour le numéro de projet;
 2. Nom et adresse du fabricant (2.1) et de son mandataire (2.2);
 3. La présente déclaration de conformité est émise sous la seule responsabilité du fabricant;
 4. Objet(s) de la déclaration;
 5. Le ou les objets de la déclaration décrits ci-dessous est (sont) conforme(s) à la législation d'harmonisation de l'Union applicable ;
 6. Références des normes harmonisées pertinentes appliquées ou des autres spécifications techniques par rapport auxquelles la conformité est déclarée ;
 7. L'organisme notifié w a effectué x et a établi l'attestation y applicable à z ;
 A. Informations complémentaires relatives à () ;
 A.1 Marque
 A.2 Marque
 A.3 Marque
 A.4 Le produit mentionné est conforme aux exigences de la directive 2014/34/UE. Une ou plusieurs des normes européennes mentionnées ont déjà été remplacées par de nouvelles éditions. Le fabricant déclare que le produit est également conforme à ces nouvelles éditions, dans la mesure où les exigences modifiées des nouvelles normes n'affectent pas le produit.

hollandi (nl)

Izjava o skladnosti
 1. Model proizvoda / broj proizvoda / vajedi samo za broj projekta;
 2. Naziv i adresa proizvođača (2.1) i njegovog ovlaštenog zastupnika (2.2);
 3. Za izdavanje ove izjave o skladnosti odgovoran je isključivo proizvođač;
 4. Predmet(i) izjave;
 5. Predmet(i) navedene izjave jesu u skladu s mjerodavnim zakonodavstvom Unije o usklađivanju ;
 6. Pozivaju na relevantne primjenjene isključivo norme ili pozivaju na ostale tehničke specifikacije u vezi s kojima se izjavljuje skladnost;
 7. Poveljeno tijelo w provelo je x i izdalo certifikat y koji je relevantan za z ;
 A. Dodatne informacije o proizvodu () ;
 A.1 Označavanje
 A.2 Označavanje
 A.3 Označavanje
 A.4 Prethodno navedeni proizvod u skladu je sa zahtjevima Direktive 2014/34/EU. Jedna ili više navedenih europskih normi već je zamijenjeno novim izdanjima. Proizvođač izjavljuje da je proizvod u skladu i s tim novim izdanjima, jer su izmijenjeni zahtjevi ili novih normi ne odnose na proizvod.

magyar (hu)

Megfelelőségi nyilatkozat
 1. Termékmodell / termékszám / kizárólag az alábbi projektszámhoz érvényes;
 2. A gyártó (2.1) vagy adott esetben meghatalmazott képviselőjének (2.2) neve és címe;
 3. Ezt a megfelelőségi nyilatkozatot a gyártó kizárólagos felelőssége mellett adja ki;
 4. A nyilatkozat tárgya(i);
 5. A fent írtmertetett nyilatkozat tárgya megfelel a vonatkozó uniós harmonizációs jogszabályoknak;
 6. Az alkalmazott harmonizált szabványokról való leírásokra való hivatkozás, amelyekkel kapcsolatban megfelelőségi nyilatkozatot tettek;
 7. A(z) w bejelentett szervezet elvégezte a(z) x eljárást, és kiállította a(z) y kapcsolódó tanúsítványt;
 A. További információk () ;
 A.1 Jelölés
 A.2 Jelölés
 A.3 Jelölés
 A.4 A fentebb megnevezett termék megfelel a 2014/34/EU irányelvben foglalt követelményeknek. Egy vagy több említett Európai szabvány a kiállítás óta frissült. A gyártó kijelenti, hogy a termék megfelel a szabványok legújabb kiadásában foglalt követelményeknek, mivel a szabvány módosításai nem érintik az adott terméket.

italiano (it)

Dichiarazione di conformità
 1. Modello di prodotto / numero di prodotto / valido unicamente per numero di progetto;
 2. Nome e indirizzo del fabbricante (2.1) e del relativo rappresentante autorizzato (2.2);
 3. La presente dichiarazione di conformità è rilasciata sotto la responsabilità esclusiva del fabbricante;
 4. Oggetto/i della dichiarazione;
 5. L'oggetto o gli oggetti della dichiarazione di cui sopra sono conformi alla pertinente normativa di armonizzazione dell'Unione;
 6. Riferimento alle pertinenti norme armonizzate utilizzate o riferimenti alle altre specifiche tecniche in relazione alle quali è dichiarata la conformità;
 7. L'organismo notificato w ha effettuato x e rilasciato il certificato y pertinente a z ;
 A. Informazioni aggiuntive su () ;
 A.1 Marchio
 A.2 Marchio
 A.3 Marchio
 A.4 Il prodotto menzionato in precedenza è conforme alle prescrizioni della direttiva 2014/34/UE. Una o più norme UE menzionate sono già state sostituite da nuove versioni. Il fabbricante dichiara che il prodotto è conforme anche alle nuove versioni in quanto le prescrizioni modificate delle nuove norme non interessano il prodotto.

latvian (lv)

Atbilstības deklarācija
 1. Gatavības modeļa / gatavības numurs / galīgā tik projekta numuru;
 2. Gatavības (2.1) ir jō jātoreto arstovo (2.2) pavalrības tr adrese;
 3. Šā atbilstības deklarācija izdotā tik gatavības atskaitē;
 4. Deklarācijas objekts (objekti);
 5. Pirmais aplēstas deklarācijas objekts (objekti) atbilst sūstjusis derīgumstosus Sūstjusis teises akas;
 6. Sūstjusis tākytu darījūtu standarts mērodot arba kyū uclimūtu specifikācyā, pūgal kuras buvo deklarāta atbilst, mērodot;
 7. Notifikātoji istāga w atliko x ir izdāve sertifikāta y del z ;
 A. Papildoma informācija () ;
 A.1 Zēnklinūmas
 A.2 Zēnklinūmas
 A.3 Zēnklinūmas
 A.4 Pirmais norādīstas gatavības atbilstība Direktīvyos 2014/34/ES reikalavūmus. Vienas ar keli mūrodyti Europos standarty jau pakēsti mūjā redakcyā. Gatavības pārvirūta, kad gatavības (ap pat atbilsta naujācyā redakcyā, nes pakēsti naujūtu standarty reikalavūma gatavūtu poverkyto neturi.



EU-Declaration of Conformity



MEU17045

latvian (lv)
 Atbilstības deklarācija
 1. Produkta modeļa / produkta numurs / derīgā tika projekta Nr.:
 2. Ražotāja (2.1.) un tā pilnvarotā pārstāvja (2.2.) nosaukums un adrese:
 3. Šī atbilstības deklarācija ir izdota vienīgi uz ražotāja atbildību
 4. Deklarācijas priekšmets vai priekšmeti:
 5. Iepriekš aprakstītajai deklarācijas priekšmets vai priekšmeti atbilst attiecīgajam Savienības noteikumašanos tiesību aktam
 6. Atsaucies uz attiecīgajiem izstrādājumiem saskaņotajiem standartiem vai uz citām tehniskajām specifikācijām, attiecībā uz ko tiek deklarēta atbilstība:
 7. Paziņotā struktūra w ir veikusi x un izsniegusi sertifikātu y, kas attiecas uz z:
 A. Papildu informācija par ():
 A.1 Marķējums
 A.2 Marķējums
 A.3 Marķējums
 A.4. Iepriekš minētās produkta atbilst Direktīvas 2014/34/ES prasībām. Viens vai vairāki no minētajiem Eiropas standartiem jaut ir atzīmēti ar jaunām versijām. Ražotājs apliecinā, ka produkts atbilst arī šīm jaunajām versijām, jo jāmāo saskaņotu minētās prasības noteiktā produktā.

lituanian (lt)
 Deklaracija ta konformitai
 1. Modelio tal-prodoto / numru tal-prodoto / valaida bass ghan-niumu tal-prodoto:
 2. 1.-asem u l-indirizz tal-manifatur (2.1) u tar-reprezentanti awtorizizu tiegna (2.2):
 3. Dtu id-diklarazzjoni ta konformita tindareg talu tr-responsabiltati unika tal-manifatur
 4. 1-ghan(ijiet) tad-diklarazzjoni:
 5. 1-ghan(ijiet) tad-diklarazzjoni deskritt(i) hawn fuq huwa(huma) konformi mal-legislazzjoni ta armonizzazzjoni rilevanti tal-Unjoni:
 6. Ir-referenzi ghall-standards armonizzati rilevanti li nużaw, jew ir-referenzi ghall-ispekkazzjonijiet teknici li-ohru li skondom qad tigi ddikjarata l-konformita:
 7. Ir-korp notifikat w wettaq x u hareg ic-certifikat y rilevanti ghal z:
 A. Informazzjoni addizzjonali fuq ():
 A.1 Immarkar
 A.2 Immarkar
 A.3 Immarkar
 A.4 Il-prodott nesenmi lawu fuq huwa l-konformita mar-ekwiziti tad-Direktiva 2014/34/UE. Wiehed jew aktar null-standards Ewropej imsemmija digal jew sositwini l-edizzjonijiet godda bass. Il-manifatur jidkifjgna li l-prodott huwa konformi wktoll ma' dawn l-edizzjonijiet godda, ghal ir-ekwiziti tal-standards il-godda ma jaffetwawu il-prodott

nederland (nl)
 Conformiteitsverklaring
 1. Productmodel / productnummer / uitvaardigend geldig voor projectnummer:
 2. Naam en adres van de fabrikant (2.1) en zijn gemachtigde (2.2):
 3. Deze conformiteitsverklaring wordt verstrekt onder volledige verantwoordelijkheid van de fabrikant.
 4. Voorwerpen van de verklaring:
 5. Het (de) hierboven beschreven voorwerpen / is (zijn) in overeenstemming met de desbetreffende harmonisatiewetgeving van de Unie.
 6. Vermelding van de toegepaste relevante geharmoniseerde normen of van de overige technische specificaties waarop de conformiteitsverklaring betrekking heeft.
 7. De aangemelde instantie w heeft een x uitgevoerd en het certificaat y verstrekt dat relevant is voor z:
 A. Aanvullende informatie over ():
 A.1 Markering
 A.2 Markering
 A.3 Markering
 A.4 Het bovengenoemde product voldoet aan de eisen van Richtlijn 2014/34/EU. Een of meer van de genoemde Europese normen zijn inmiddels vervangen door nieuwe versies. De fabrikant verklaart dat het product ook aan deze nieuwe versies voldoet, aangezien de gewijzigde eisen van de nieuwe normen geen gevolgen hebben voor het product

polish (pl)
 Deklaracja zgodności
 1. Model produktu / numer produktu / ważny wyłącznie dla projektu o numerze:
 2. Nazwa i adres producenta (2.1) oraz jego upoważnionego przedstawiciela (2.2).
 3. Niniejsza deklaracja zgodności wydana zostaje na wyłączną odpowiedzialność producenta.
 4. Przedmiot(-y) deklaracji:
 5. Wymieniony powyżej przedmiot (lub przedmioty) niniejszej deklaracji jest zgodny z odnośnymi wymaganiami unijnego prawodawstwa harmonizacyjnego:
 6. Odwołania do odnośnych norm zharmonizowanych, które zastosowano, lub do innych specyfikacji technicznych, w stosunku do których deklarowana jest zgodność:
 7. Jednostka notyfikowana w przeprowadziła x i wydała certyfikat y odpowiedni dla z:
 A. Informacje dodatkowe o ():
 A.1 Oznakowanie
 A.2 Oznakowanie
 A.3 Oznakowanie
 A.4 Wyżej wymieniony produkt jest zgodny z wymaganiami Dyrektywy 2014/34/UE.
 Co najmniej jedna wymieniona norma europejska została już zastąpiona nowymi wydaniami. Producent oświadcza, że produkt spełnia wymagania także takich nowych wydań norm, gdyż zmienione wymagania zawarte w nowych normach nie mają wpływu na produkt.

portuguese (pt)
 Declaração de conformidade
 1. Modelo do produto / número do produto / somente válido para o número de projeto:
 2. Nome e endereço do fabricante (2.1) e do seu mandatário (2.2).
 3. A presente declaração de conformidade é emitida sob a exclusiva responsabilidade do fabricante.
 4. Objeto(s) da declaração:
 5. O(s) objeto(s) da declaração acima descrito(s) estão em conformidade com a legislação aplicável de harmonização da União:
 6. Referências às normas harmonizadas aplicáveis utilizadas ou às outras especificações técnicas em relação às quais é declarada a conformidade:
 7. O organismo notificado w realizou x e emitiu o certificado y relevante para z:
 A. Informações complementares relativa a ():
 A.1 Marcação
 A.2 Marcação
 A.3 Marcação
 A.4 O produto acima mencionado está em consonância com os requisitos da diretiva 2014/34/UE. Uma ou mais das Normas Europeias mencionadas acima já foram substituídas por novas edições. O fabricante declara que o produto também está em conformidade com essas novas edições, uma vez que os requisitos alterados dessas novas Normas não afetam o produto.

română (ro)
 Declarație de conformitate
 1. Modelul de produs / Număr produs / validă numai pentru numărul proiectului:
 2. Denumirea și adresa producătorului (2.1) și a reprezentantului său autorizat (2.2).
 3. Prezenta declarație de conformitate este emisă pe răspunderea exclusivă a producătorului.
 4. Obiectul (obiectele) declarației:
 5. Obiectul (obiectele) declarației descrise mai sus sunt în conformitate cu legislația relevantă de armonizare a Uniunii.
 6. Trimiten la standardele armonizate relevante folosite sau trimiten la celelalte specificații tehnice în legătură cu care se declară conformitatea:
 7. Organismul notificat w a efectuat x și a emis certificatul y corespunzător pentru z:
 A. Informații suplimentare despre ():
 A.1 Marcaj
 A.2 Marcaj
 A.3 Marcaj
 A.4 Produsul menționat anterior respectă cerințele directivei 2014/34/UE. Unele sau mai multe din standardele europene menționate sunt deja înlocuite de noi ediții. Producătorul declară faptul că produsul respectă de asemenea aceste noi ediții, ășadar cerințele modificate ale noilor standarde nu afectează produsul.



EU-Declaration of Conformity

MEU17045

Minebea
intec
The true measure

slovenščina (sk)

Vyhlašení o zhode
1. Model výrobku / číslo výrobku / platné len pre číslo projektu.
2. Meno/nazov a adresa výrobcu (2.1) a jeho spoločenského zástupcu (2.2).
3. Toto vyhlásenie o zhode sa vydáva na vlastnú zodpovednosť výrobcu.
4. Predmet(-y) vyhlásenia:
5. Uvedený predmet či uvedené predmety vyhlásenia sú v zhode s príslušnými harmonizačnými povinnými predpismi Únie.
6. Odľahcy na príslušné použité harmonizačné normy alebo odkazy na tie technické špecifikácie, v súvislosti s ktorými sa zhoda vyhlasuje.
7. Notifikovaný orgán v zykonal x a vydal certifikát y relevantný pre z:
A.1 Označenie
A.2 Označenie
A.3 Označenie
A.4 Vyššie uvedený výrobok je v súlade s požiadavkami smernice 2014/34/EU. Jedna alebo viaceré z uvedených európskych noriem sú už nahradené novými vydaniaми. Výrobca vyhlasuje, že výrobok je v zhode aj s týmito novými vydaniaми, pretože zmenené požiadavky nových noriem nemajú na výrobok vplyv.

slovenščina (sl)

Izjava o skladnosti
1. Model proizvoda / serijska številka proizvoda / veljavno samo za številko projekta.
2. Ime in naslov proizvajalca (2.1) ter njegovega pooblaščenega zastopnika (2.2).
3. Za izdajo te izjave o skladnosti je odgovoren izključno proizvajalec.
4. Predmet(i) izjave:
5. Predmet(i) navedene izjave je (so) v skladu z ustreznimi zakonodajno Unije o harmonizaciji.
6. Sklicevanja na uporabljene ustrezne harmonizirane standarde ali sklicevanja na druge tehnične specifikacije v zvezi s skladnostjo, ki je navedena v izjavi.
7. Priglaseni organ w je izvedel x in izdal certifikat y, pomemben za z:
A. Dodatne informacije o ():
A.1 Oznaka
A.2 Oznaka
A.3 Oznaka
A.4 Zgoraj navedeni proizvod je v skladu z zahtevami direktive 2014/34/EU. Enega ali več omenjenih evropskih standardov so že nadomestile nove izdaje. Proizvajalec izjavlja, da je proizvod skladen s temi novimi izdajami, saj spremenjena zahteva novih standardov ne vplivajo na proizvod.

mõne (lt)

Vaaiimstentimukaususvykatus
1. Tuotemalli / tuotenumero / koskee vain projektinumeroa.
2. Valmistajan (2.1) ja valtuutetun edustajan (2.2) nimi ja osoite.
3. Tämä vaatimustenmukaisuusvakuutus on annettu valmistajan yksinomaisella vastuulla.
4. Vakuutuksen kohde (kohdet):
5. Edellä kuvattu (kuvatut) vakuutuksen kohde (kohdet) on (ovat) asiaa koskevan unionin yhdenmukaistamismääräysten vaatimusten mukainen (mukaisia).
6. Viittaus niihin asiaa koskeviin yhdenmukaistamismääräyksiin, joita on käytetty, tai viittaus muihin teknisiin eritelmiin, joiden perusteella vaatimustenmukaisuusvaikutus on annettu.
7. Ilmoitettu laitos w suoritti x ja antoi todistuksen y liittyen z:
A. Lisätietoja ():
A.1 Merkintä
A.2 Merkintä
A.3 Merkintä
A.4 Yllä mainittu tuote vastaa direktiivin 2014/34/EU vaatimuksia. Yksi tai useampi mainittuista eurooppalaisista standardeista on (o) korvattu uusilla painoksilla. Valmistaja vakuuttaa että tuote vastaa myös näitä uusia painoksia, koska uusien standardien muutokset määrityksi eivät vaikuta tuotteeseen.

svenska (sv)

Försäkran om överensstämmelse
1. Produktmodell / produktnummer / gäller endast för projektnummer.
2. Tillverkarens namn och adress (2.1) och dess auktoriserade representant (2.2).
3. Denna försäkran om överensstämmelse utdödas på tillverkarens eget ansvar.
4. Föremål för försäkran:
5. Föremålet/föremålen för försäkran öyut överensstämmer med den relevanta harmoniserade unionslagstiftningen.
6. Hänvisningar till de relevanta harmoniserade standarder som använts eller hänvisningar till de andra tekniska specifikationerna enligt vilka överensstämmelsen försäkras.
7. Det nämnda organet w har utfört x och utfärdat intyget y relevant för z:
A. Ytterligare information om ():
A.1 Märkning
A.2 Märkning
A.3 Märkning
A.4 Övan nämnda produkt är i linje med kraven i direktiv 2014/34/EU. En eller flera av de nämnda europeiska standarderna har redan ersatts av nya upplagor. Tillverkaren försäkrar att produkten även överensstämmer med dessa nya upplagor, då de ändrade kraven i de nya standarderna inte påverkar produkten.

12.2 BVS 16 ATEX E 005



(1) **EG-Baumusterprüfbescheinigung**

(2) Geräte und Schutzsysteme zur bestimmungsgemäßen Verwendung in explosionsgefährdeten Bereichen - Richtlinie 94/9/EG

(3) Nr. der EG-Baumusterprüfbescheinigung: **BVS 16 ATEX E 005**

(4) Gerät: **Wägezelle Typ PR62**/*E**

(5) Hersteller: **Sartorius Mechatronics T&H GmbH**

(6) Anschrift: **Meiendorfer Straße 205, 22145 Hamburg**

(7) Die Bauart dieses Gerätes sowie die verschiedenen zulässigen Ausführungen sind in der Anlage zu dieser Baumusterprüfbescheinigung festgelegt.

(8) Die Zertifizierungsstelle der DEKRA EXAM GmbH, benannte Stelle Nr. 0158 gemäß Artikel 9 der Richtlinie 94/9/EG des Europäischen Parlaments und des Rates vom 23. März 1994, bescheinigt, dass das Gerät die grundlegenden Sicherheits- und Gesundheitsanforderungen für die Konzeption und den Bau von Geräten und Schutzsystemen zur bestimmungsgemäßen Verwendung in explosionsgefährdeten Bereichen gemäß Anhang II der Richtlinie erfüllt. Die Ergebnisse der Prüfung sind in dem Prüfprotokoll BVS PP 16.2012 EG niedergelegt.

(9) Die grundlegenden Sicherheits- und Gesundheitsanforderungen werden erfüllt durch Übereinstimmung mit

EN 60079-0:2012 + A11:2013 Allgemeine Anforderungen
EN 60079-11:2012 Eigensicherheit „i“

(10) Falls das Zeichen „X“ hinter der Bescheinigungsnummer steht, wird in der Anlage zu dieser Bescheinigung auf besondere Bedingungen für die sichere Anwendung des Gerätes hingewiesen.

(11) Diese EG-Baumusterprüfbescheinigung bezieht sich nur auf die Konzeption und die Baumusterprüfung des beschriebenen Gerätes in Übereinstimmung mit der Richtlinie 94/9/EG. Für Herstellung und Inverkehrbringen des Gerätes sind weitere Anforderungen der Richtlinie zu erfüllen, die nicht durch diese Bescheinigung abgedeckt sind.

(12) Die Kennzeichnung des Gerätes muss die folgenden Angaben enthalten:

Ex II 1G Ex ia IIC T6 Ga

DEKRA EXAM GmbH
Bochum, den 20.01.2016



 Zertifizierungsstelle



 Fachbereich

Seite 1 von 2 zu BVS 16 ATEX E 005
Dieses Zertifikat darf nur vollständig und unverändert weiterverbreitet werden.

DEKRA EXAM GmbH, Dinnendahlstraße 9, 44809 Bochum, Deutschland
Telefon +49.234.3696-105, Telefax +49.234.3696-110, zs-exam@dekra.com



- (13) Anlage zur
- (14) **EG-Baumusterprüfbescheinigung
BVS 16 ATEX E 005**
- (15) 15.1 Gegenstand und Typ

Wägezelle Typ PR62**/**E

Anstelle der *** werden in der vollständigen Benennung Buchstaben und Ziffern eingefügt, die unterschiedliche Typen kennzeichnen:

Wägezelle Typ PR62

*	*
---	---

 /

*	*	E
---	---	---

Unterschiedliche Ausführungen (01, 02, 11, 12, 21, 41, 46, 51, 61), die sich elektrisch und / oder mechanisch unterscheiden

Laststufe (nicht Ex-relevant, nur für Informationszwecke)

15.2 Beschreibung

Die Wägezellen dienen zur Umwandlung von Kraft in ein elektrisches Signal. Die Zellen haben ein Metallgehäuse mit eingebauten Dehnungsmessstreifen. Der elektrische Anschluss erfolgt über eine fest angeschlossene Leitung. Die Zellen sind „einfache elektrische Betriebsmittel“.

15.3 Kenngrößen

Spannung	Ui	DC	25	V
Strom	Ii		160	mA
Leistung	Pi		2	W
Umgebungstemperaturbereich	Ta		-30 °C bis +55 °C	

- (16) Prüfprotokoll
BVS PP 16.2012 EG, Stand 20.01.2016
- (17) Besondere Bedingungen für die sichere Anwendung
Keine



Seite 2 von 2 zu BVS 16 ATEX E 005
Dieses Zertifikat darf nur vollständig und unverändert weiterverbreitet werden.
DEKRA EXAM GmbH, Dinnendahlstraße 9, 44809 Bochum, Deutschland
Telefon +49.234.3696-105, Telefax +49.234.3696-110, zs-exam@dekra.com



Translation EC-Type Examination Certificate

- (2) Equipment and protective systems intended for use in potentially explosive atmospheres - Directive 94/9/EC
- (3) No. of EC-Type Examination Certificate: **BVS 16 ATEX E 005**
- (4) Equipment: **Load cell type PR62**/**E**
- (5) Manufacturer: **Sartorius Mechatronics T&H GmbH**
- (6) Address: **Meiendorfer Straße 205, 22145 Hamburg, Germany**
- (7) The design and construction of this equipment and any acceptable variation thereto are specified in the appendix to this type examination certificate.
- (8) The certification body of DEKRA EXAM GmbH, notified body no. 0158 in accordance with Article 9 of the Directive 94/9/EC of the European Parliament and the Council of 23 March 1994, certifies that this equipment has been found to comply with the Essential Health and Safety Requirements relating to the design and construction of equipment and protective systems intended for use in potentially explosive atmospheres, given in Annex II to the Directive. The examination and test results are recorded in the Test and Assessment Report BVS PP 16.2012 EG.
- (9) The Essential Health and Safety Requirements are assured by compliance with:
 - EN 60079-0:2012 + A11:2013 General requirements**
 - EN 60079-11:2012 Intrinsic Safety "i"**
- (10) If the sign "X" is placed after the certificate number, it indicates that the equipment is subject to special conditions for safe use specified in the appendix to this certificate.
- (11) This EC-Type Examination Certificate relates only to the design, examination and tests of the specified equipment in accordance to Directive 94/9/EC. Further requirements of the Directive apply to the manufacturing process and supply of this equipment. These are not covered by this certificate.
- (12) The marking of the equipment shall include the following:

 **II 1G Ex ia IIC T6 Ga**

DEKRA EXAM GmbH
Bochum, dated 2016-01-20

Signed: Dr. Eickhoff


Certification body

Signed: Dr. Wittler

Special services unit

Page 1 of 2 of BVS 16 ATEX E 005
This certificate may only be reproduced in its entirety and without any change.

DEKRA EXAM GmbH, Dinnendahlstrasse 9, 44809 Bochum, Germany,
telephone +49 234.3696-105, Fax +49.234.3696-110, zs-exam@dekra.com



(13) Appendix to

(14) **EC-Type Examination Certificate**
BVS 16 ATEX E 005

(15) 15.1 Subject and type

Load cell type PR62**/**E

Instead of the *** in the complete denomination letters and numerals will be inserted which characterize different cell types:

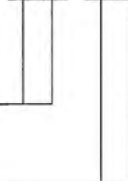
Load cell type PR62

*	*
---	---

 /

*	*
---	---

E



Different versions (01, 02, 11, 12, 21, 41, 46, 51, 61) which differ electrically and / or mechanically

Load level (not Ex relevant, for information purposes only)

15.2 Description

The load cells are used for converting a load into an electrical signal. The cells have a metal enclosure with inside fixed resistance strain gauges. The electrical connection is carried out by a permanently connected cable. The cells are "simple apparatus".

15.3 Parameters

Voltage	Ui	DC	25	V
Current	li		160	mA
Power	Pi		2	W
Ambient temperature range	Ta		-30 °C up to +55 °C	

(16) Test and Assessment Report

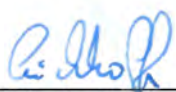
BVS PP 16.2012 EG as of 2016-01-20

(17) Special conditions for safe use


None

We confirm the correctness of the translation from the German original. In the case of arbitration only the German wording shall be valid and binding.

DEKRA EXAM GmbH
44809 Bochum, 2016-01-20
BVS-/Hil/Schu/Mu A 20150360



 Certification body




 Special services unit

Page 2 of 2 of BVS 16 ATEX E 005
This certificate may only be reproduced in its entirety and without any change.

DEKRA EXAM GmbH, Dinnendahlstrasse 9, 44809 Bochum, Germany,
telephone +49.234.3696-105, Fax +49.234.3696-110, zs-exam@dekra.com

12.3 IECEx BVS 16.0005

		<h2 style="text-align: right;">IECEX Certificate of Conformity</h2>	
INTERNATIONAL ELECTROTECHNICAL COMMISSION IEC Certification Scheme for Explosive Atmospheres <small>for rules and details of the IECEx Scheme visit www.iecex.com</small>			
Certificate No.:	IECEX BVS 16.0005	Issue No.:	1
Status:	Current	<small>Certificate history: Issue No. 1 (2017-7-6) Issue No. 0 (2016-1-21)</small>	
Date of Issue:	2017-07-06	Page 1 of 4	
Applicant:	Minebea Intec GmbH Meiendorfer Straße 205 22145 Hamburg Germany		
Equipment:	Load cell type PR 62**/*E		
Optional accessory:			
Type of Protection:	Equipment protection by intrinsic safety "I"		
Marking:	Ex ia IIC T6 Ga		
Approved for issue on behalf of the IECEx Certification Body:	Dr. F. Eickhoff		
Position:	Deputy Head of Certification Body		
Signature: (for printed version)			
Date:	2017-07-06		
1. This certificate and schedule may only be reproduced in full. 2. This certificate is not transferable and remains the property of the issuing body. 3. The Status and authenticity of this certificate may be verified by visiting the Official IECEx Website.			
Certificate issued by:			
DEKRA EXAM GmbH Dinnendahlstrasse 9 44809 Bochum Germany		On the safe side.	



IECEx Certificate of Conformity

Certificate No.: IECEx BVS 16.0005

Date of Issue: 2017-07-06

Issue No.: 1

Page 2 of 4

Manufacturer: **Minebea Intec GmbH**
Meiendorfer Straße 205
22145 Hamburg
Germany

Additional Manufacturing location(s):

This certificate is issued as verification that a sample(s), representative of production, was assessed and tested and found to comply with the IEC Standard list below and that the manufacturer's quality system, relating to the Ex products covered by this certificate, was assessed and found to comply with the IECEx Quality system requirements. This certificate is granted subject to the conditions as set out in IECEx Scheme Rules, IECEx 02 and Operational Documents as amended.

STANDARDS:

The electrical apparatus and any acceptable variations to it specified in the schedule of this certificate and the identified documents, was found to comply with the following standards:

IEC 60079-0 : 2011 Explosive atmospheres - Part 0: General requirements
Edition: 6.0

IEC 60079-11 : 2011 Explosive atmospheres - Part 11: Equipment protection by intrinsic safety "i"
Edition: 6.0

*This Certificate **does not** indicate compliance with electrical safety and performance requirements other than those expressly included in the Standards listed above.*

TEST & ASSESSMENT REPORTS:



A sample(s) of the equipment listed has successfully met the examination and test requirements as recorded in.



Test Report:

DE/BVS/ExTR16.0007/00


Quality Assessment Report:


DE/PTB/QAR13.0007/02

		IECEX Certificate of Conformity
Certificate No.:	IECEX BVS 16.0005	
Date of Issue:	2017-07-06	Issue No.: 1
		Page 3 of 4
Schedule		
EQUIPMENT: <i>Equipment and systems covered by this certificate are as follows:</i>		
General product information:		
The load cells are used for converting a load into an electrical signal. The cells have a metal enclosure with inside fixed resistance strain gauges. The electrical connection is carried out by a permanently connected cable. The cells are "simple apparatus".		
Technical parameters		
Voltage	Ui	DC 25 V
Current	Ii	160 mA
Power	Pi	2 W
Ambient temperature range	Ta	-30 °C up to +55 °C
Type Designation		
See Annex		
SPECIFIC CONDITIONS OF USE: NO		

		IECEX Certificate of Conformity
Certificate No.:	IECEX BVS 16.0005	
Date of Issue:	2017-07-06	Issue No.: 1
		Page 4 of 4
DETAILS OF CERTIFICATE CHANGES (for issues 1 and above):		
<p>The reason for this new issue is the change of the company's name from Sartorius Mechatronics T&H GmbH to Minebea Intec GmbH. Therefore the appropriate QAR was linked to this certificate.</p>		
Annex: BVS_16_0005_Minebea_Annex_issue1.pdf		

12.4 TÜV 03 ATEX 2301X





(1) **EU-Baumusterprüfbescheinigung**

(2) Geräte und Schutzsysteme zur bestimmungsgemäßen Verwendung in explosionsgefährdeten Bereichen, **Richtlinie 2014/34/EU**

(3) **Bescheinigungsnummer:** TÜV 03 ATEX 2301 X **Ausgabe:** 00

(4) für das Produkt: Wägezellen Typ PR 62.../.. und MP76/...

(5) des Herstellers: Minebea Intec GmbH

(6) Anschrift: Meiendorfer Str. 205 A, 22145 Hamburg

Auftragsnummer: 8000475687

Ausstellungsdatum: 14.11.2017

(7) Die Bauart dieses Produktes sowie die verschiedenen zulässigen Ausführungen sind in der Anlage und den darin aufgeführten Unterlagen zu dieser EU-Baumusterprüfbescheinigung festgelegt.


(8) Die TÜV NORD CERT GmbH bescheinigt als notifizierte Stelle Nr. 0044 nach Artikel 17 der Richtlinie 2014/34/EU des Europäischen Parlaments und des Rates vom 26. Februar 2014 die Erfüllung der wesentlichen Gesundheits- und Sicherheitsanforderungen für die Konzeption und den Bau dieses Produktes zur bestimmungsgemäßen Verwendung in explosionsgefährdeten Bereichen gemäß Anhang II der Richtlinie.
Die Ergebnisse der Prüfung sind in dem vertraulichen ATEX Prüfungsbericht Nr. 17 203 206448 festgelegt.

(9) Die wesentlichen Gesundheits- und Sicherheitsanforderungen werden erfüllt durch Übereinstimmung mit:
EN 60079-0:2012+A11:2013 EN 60079-31:2014
ausgenommen die unter Abschnitt 18 der Anlage gelisteten Anforderungen.

(10) Falls das Zeichen "X" hinter der Bescheinigungsnummer steht, wird auf die Besonderen Bedingungen für die Verwendung des Produktes in der Anlage zu dieser Bescheinigung hingewiesen.

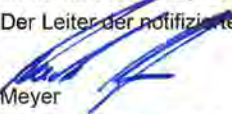
(11) Diese EU-Baumusterprüfbescheinigung bezieht sich nur auf Konzeption und Prüfung des festgelegten Produktes. Weitere Anforderungen dieser Richtlinie gelten für die Herstellung und das Bereitstellen dieses Produktes. Diese Anforderungen werden nicht durch diese Bescheinigung abgedeckt.

(12) Die Kennzeichnung des Produktes muss die folgenden Angaben enthalten:

 II 1 D Ex ta IIIC T160 °C Da

TÜV NORD CERT GmbH, Langemarckstraße 20, 45141 Essen, notifiziert durch die Zentralstelle der Länder für Sicherheitstechnik (ZLS), Ident. Nr. 0044, Rechtsnachfolger der TÜV NORD CERT GmbH & Co. KG Ident. Nr. 0032

Der Leiter der notifizierten Stelle


Meyer

Geschäftsstelle Hannover, Am TÜV 1, 30519 Hannover, Tel. +49 511 998-61455, Fax +49 511 998-61590

Diese Bescheinigung darf nur unverändert weiterverbreitet werden.
Auszüge oder Änderungen bedürfen der Genehmigung der TÜV NORD CERT GmbH

P17-F-001 Rev. 01/014.16 Seite 1/3

(13) **ANLAGE**(14) **EU-Baumusterprüfbescheinigung Nr. TÜV 03 ATEX 2301 X Ausgabe 00**

(15) Beschreibung des Produktes

Die Wägezellen Typen PR62../... und MP76../... gemäß der unten aufgeführten Tabelle dienen zur Messung von Kräften mittels einer DMS Brücke mit Kompensations- und Abgleichwiderständen. Die Gehäuse der Wägezellen sowie die eingesetzten Membranen bestehen aus Edelstahl. Alle Gehäuseteile und die Membranen sind gasdicht verschweißt. Die Wägezellen dürfen in durch Staub explosionsgefährdeten Bereichen für EPL Da-Betriebsmittel bzw. EPL Db-Betriebsmittel installiert werden.

Der zulässige Umgebungstemperaturbereich beträgt -20 °C ... 55°C.

Auflistung der Typen und Gehäuseformen

Typen	Gehäuseform
PR 6201/...	Zylinder
PR 6202/...	Zylinder
PR 6203/...	Zylinder
PR 6221/...	Zylinder
PR 6211/...	Kreisplatte
PR 6212/...	Kreisplatte
PR 6251/...	Kreisplatte
PR 6261/...	Kreisplatte
PR 6241/...	S-Form
PR 6246/...	S-Form
MP 76/...	S-Form

Elektrische Daten

Versorgungs- und
Signalstromkreis
(fest angeschlossenes Kabel)

nur zum Anschluss an einen bescheinigten
eigensicheren Stromkreis

Höchstwert:

$P_i = 2 \text{ W}$

Die wirksame innere Induktivität und Kapazität sind vernachlässigbar klein.

Verwendung als EPL Da-Betriebsmittel

Schutzniveau des Stromkreises: ia

Verwendung als EPL Db-Betriebsmittel

Schutzniveau des Stromkreises: ia oder ib

(16) Zeichnungen und Dokumente sind im ATEX Prüfungsbericht Nr. 17 203 206448 aufgelistet.



Anlage zur EU-Baumusterprüfbescheinigung Nr. TÜV 03 ATEX 2103 X Ausgabe 00

(17) Besondere Bedingungen für die Verwendung

1. Die freien Leitungsenden der Anschlüsse sind außerhalb des explosionsgefährdeten Bereiches oder in einem geeigneten, für den Einsatz in durch Staub explosionsgefährdeten Bereichen bescheinigten Klemmenkasten zu verdrahten.

2. Der Anschluss von nichteigensicheren Stromkreisen



- mit einer sicheren Begrenzung der verfügbaren Leistung auf 2W und
 - einer sicheren galvanischen Trennung vom Erdpotential (für Wägezellen ohne zusätzlichen Erdanschluss erforderlich)
- an die Wägezellen mit EPL Db ist zulässig.


3. Die Wägezellen sind so zu errichten, dass die Gehäuse sicher mit Erdpotential verbunden sind (z. B. über die Erdungsklemme; die Betriebsanleitung des Herstellers ist zu beachten).

(18) Wesentliche Gesundheits- und Sicherheitsanforderungen

keine zusätzlichen

- Ende der Bescheinigung -

<p>(1) Translation EU-Type Examination Certificate</p> <p>(2) Equipment and protective systems intended for use in potentially explosive atmospheres, Directive 2014/34/EU</p> <p>(3) Certificate Number TÜV 03 ATEX 2301 X issue: 00</p> <p>(4) for the product: Load cell type PR 62../... and MP76/...</p> <p>(5) of the manufacturer: Minebea Intec GmbH</p> <p>(6) Address: Meiendorfer Str. 205 A, 22145 Hamburg</p> <p>Order number: 8000475687</p> <p>Date of issue: 2017-11-14</p> <p>(7) The design of this product and any acceptable variation thereto are specified in the schedule to this EU-Type Examination Certificate and the documents therein referred to.</p> <p>(8) The TÜV NORD CERT GmbH, Notified Body No. 0044, in accordance with Article 17 of the Directive 2014/34/EU of the European Parliament and the Council of 26 February 2014, certifies that this product has been found to comply with the Essential Health and Safety Requirements relating to the design and construction of products intended for use in potentially explosive atmospheres given in Annex II to the Directive. The examination and test results are recorded in the confidential ATEX Assessment Report No. 17 203 206448.</p> <p>(9) Compliance with the Essential Health and Safety Requirements has been assured by compliance with: EN 60079-0:2012+A11:2013 EN 60079-31:2012 except in respect of those requirements listed at item 18 of the schedule.</p> <p>(10) If the sign "X" is placed after the certificate number, it indicates that the product is subject to the Specific Conditions for Use specified in the schedule to this certificate.</p> <p>11) This EU-Type Examination Certificate relates only to the design, and construction of the specified product. Further requirements of the Directive apply to the manufacturing process and supply of this equipment. These are not covered by this certificate.</p> <p>(12) The marking of the product shall include the following:</p>	 
---	--

 II 1 D Ex ta IIIC T160 °C Da

TÜV NORD CERT GmbH, Langemarckstraße 20, 45141 Essen, notified by the central office of the countries for safety engineering (ZLS) Ident. Nr. 0044, legal successor of the TÜV NORD CERT GmbH & Co. KG Ident. Nr. 0032
 The head of the notified body

 Meyer

Hanover office, Am TÜV 1, 30519 Hannover, Tel. +49 511 998-61455, Fax +49 511 998-61590

This certificate may only be reproduced without any change, schedule included.
 Excerpts or changes shall be allowed by the TÜV NORD CERT GmbH

P17-F-011 Rev. 01/04.16
page 1/3



(13) **SCHEDULE**

(14) **EU-Type Examination Certificate No. TÜV 03 ATEX 2301 X issue 00**

(15) Description of product

The load cells type PR62../... and MP76../... according to the table mentioned below are used for measuring forces by means of a strain gauge with resistors for compensation and adjustment.

The housings of the load cells as well as the used membranes consist of stainless steel. All parts of the housing and the membranes are welded gas-tight.

The load cells are allowed to be installed in explosion hazardous areas caused by dust for EPL Da apparatus resp. for EPL Db apparatus.

The permissible ambient temperature range is -20 °C ... 55 °C.

Listing of types and shape of housings

Types	Shape of housing
PR 6201/...	Cylinder
PR 6202/...	Cylinder
PR 6203/...	Cylinder
PR 6221/...	Cylinder
PR 6211/...	Circle plate
PR 6212/...	Circle plate
PR 6251/...	Circle plate
PR 6261/...	Circle plate
PR 6241/...	S-shape
PR 6246/...	S-shape
MP 76/...	S-shape

Supply- and signal circuit
(Cable connected fixed)

only for connection to a certified intrinsically safe circuit

Maximum value:

$P_i = 2 \text{ W}$

The effective internal inductance and capacitance are negligibly small.

Use as EPL Da apparatus

Level of protection of the circuit: ia

Use as EPL Db apparatus

Level of protection of the circuit: ia or ib

(16) Drawings and documents are listed in the ATEX Assessment Report No. 17 203 206448



Schedule to EU-Type Examination Certificate No. TÜV 03 ATEX 2301 X issue 00

(17) Specific Conditions for Use

1. The free cable ends of the connections have to be wired outside of the explosion hazardous area or in a suitable terminal box, suitably certified for the application in explosion hazardous areas caused by dust.

2. The connection of non-intrinsically safe circuits

- with a safe limitation of the available power of 2 W and

- a safe galvanic separation from earth potential (necessary for load cells without an additional earth connection)

to the load cells of EPL Db is permissible.

3. The load cells have to be installed in such a way, that the housings are safely connected with earth potential (e. g. via the earth terminal; observe manual of the manufacturer).



(18) Essential Health and Safety Requirements



no additional ones

- End of Certificate -

12.5 IECEx TUN 17.0025X

		<h2 style="text-align: right;">IECEX Certificate of Conformity</h2>	
<p>INTERNATIONAL ELECTROTECHNICAL COMMISSION IEC Certification Scheme for Explosive Atmospheres <small>for rules and details of the IECEx Scheme visit www.iecex.com</small></p>			
Certificate No.:	IECEX TUN 17.0025X	issue No.:0	Certificate history:
Status:	Current		
Date of Issue:	2017-11-14	Page 1 of 3	
Applicant:	Minebea Intec GmbH Meiendorfer Str. 205 22145 Hamburg Germany		
Equipment: <i>Optional accessory:</i>	Weighing cells type PR 62.. /... and MP76/...		
Type of Protection:	Equipment dust ignition protection by enclosure "t"		
Marking:	Ex ta IIIC T160°C Da		
Approved for issue on behalf of the IECEx Certification Body:	Andreas Meyer Head of IECEx Certification Body		
Signature: <i>(for printed version)</i>			
Date:	<u>2017-11-14</u>		
1. This certificate and schedule may only be reproduced in full. 2. This certificate is not transferable and remains the property of the issuing body. 3. The Status and authenticity of this certificate may be verified by visiting the Official IECEx Website .			
Certificate issued by:			
TÜV NORD CERT GmbH Hanover Office Am TÜV 1, 30519 Hannover Germany			

		IECEX Certificate of Conformity
Certificate No.:	IECEX TUN 17.0025X	
Date of Issue:	2017-11-14	Issue No.: 0
		Page 2 of 3
Manufacturer:	Minebea Intec GmbH Meiendorfer Str. 205 22145 Hamburg Germany	
Additional Manufacturing location(s):		
<p>This certificate is issued as verification that a sample(s), representative of production, was assessed and tested and found to comply with the IEC Standard list below and that the manufacturer's quality system, relating to the Ex products covered by this certificate, was assessed and found to comply with the IECEX Quality system requirements. This certificate is granted subject to the conditions as set out in IECEX Scheme Rules. IECEX 02 and Operational Documents as amended.</p>		
STANDARDS: The electrical apparatus and any acceptable variations to it specified in the schedule of this certificate and the identified documents, was found to comply with the following standards:		
IEC 60079-0 : 2011 Edition: 6.0	Explosive atmospheres - Part 0: General requirements	
IEC 60079-31 : 2013 Edition: 2	Explosive atmospheres - Part 31: Equipment dust ignition protection by enclosure "I"	
<p><i>This Certificate does not indicate compliance with electrical safety and performance requirements other than those expressly included in the Standards listed above.</i></p>		
TEST & ASSESSMENT REPORTS: <i>A sample(s) of the equipment listed has successfully met the examination and test requirements as recorded in</i>		
<u>Test Report:</u> DE/TUN/EXTR17.0023/00		
<u>Quality Assessment Report:</u> DE/PTB/QAR13.0007/02		

		IECEX Certificate of Conformity
Certificate No.:	IECEX TUN 17.0025X	Issue No.: 0
Date of Issue:	2017-11-14	Page 3 of 3
Schedule		
EQUIPMENT: <i>Equipment and systems covered by this certificate are as follows:</i>		
<p>The load cells type PR62../... and MP76/... according to the table mentioned below are used for measuring forces by means of a strain gauge with resistors for compensation and adjustment. The housings of the load cells as well as the used membranes consist of stainless steel. All parts of the housing and the membranes are welded gas-tight. The load cells are allowed to be installed in explosion hazardous areas caused by dust for EPL Da apparatus resp. for EPL Db apparatus. The permissible ambient temperature range is -20 °C ... +55 °C.</p> <p>See attachment for further details.</p>		
SPECIFIC CONDITIONS OF USE: YES as shown below:		
<ol style="list-style-type: none">1.The free cable ends of the connections have to be wired outside of the explosion hazardous area or in a suitable terminal box, certified for the application in explosion hazardous areas caused by dust.2.The connection of non intrinsically safe circuits - with a safe limitation of the available power of 2W and - a safe galvanic separation from earth potential (necessary for load cells without an additional earth connection) to the load cells of the category 2 is permissible.3.The load cells have to be installed in such a way, that the housings are connected with earth potential.		
Annex: _Attachment_load cells TUN 17.0025 X (2).pdf		

TÜV NORD CERT GmbH
 Hanover Office
 Am TÜV 1
 30519 Hannover
 Germany



Page 1 of 1
 Attachment to IECEx TUN 17.0025 X issue 00

The load cells type PR62./... and MP76/... according to the table mentioned below are used for measuring forces by means of a strain gauge with resistors for compensation and adjustment. The housings of the load cells as well as the used membranes consist of stainless steel. All parts of the housing and the membranes are welded gas-tight. The load cells are allowed to be installed in explosion hazardous areas caused by dust for category 1 apparatus resp. for category 2 apparatus. The permissible ambient temperature range is -20 °C ... 55 °C.

Listing of types and shape of housings

Types	Shape of housing
PR 6201/...	Cylinder
PR 6202/...	Cylinder
PR 6203/...	Cylinder
PR 6221/...	Cylinder
PR 6211/...	Circle plate
PR 6212/...	Circle plate
PR 6251/...	Circle plate
PR 6261/...	Circle plate
PR 6241/...	S-shape
PR 6246/...	S-shape
MP 76/...	S-shape

Supply- and signal circuit
 (Cable connected fixed)

only for connection to a certified intrinsically safe circuit

Maximum value:
 $P_i = 2 \text{ W}$

The effective internal inductance and capacitance are negligibly small.

Use as category 1 apparatus

Level of protection of the circuit: ia

Use as category 2 apparatus

Level of protection of the circuit: ia or ib

Specific Conditions of Use

1. The free cable ends of the connections have to be wired outside of the explosion hazardous area or in a suitable terminal box, suitably certified for the application in explosion hazardous areas caused by dust.
2. The connection of non intrinsically safe circuits
 - with a safe limitation of the available power of 2 W and
 - a safe galvanic separation from earth potential (necessary for load cells without an additional earth connection)
 to the load cells of the category 2 is permissible.
3. The load cells have to be installed in such a way, that the housings are safely connected with earth potential (e. g. via the earth terminal; observe manual of the manufacturer).

12.6 MIN16ATEX001X

	Herstellerbescheinigung Manufacturer's certificate	
Nummer Number	MIN16ATEX001X	
Hersteller Manufacturer	Minebea Intec GmbH Meiendorfer Straße 205A 22145 Hamburg, Germany	
	erklärt in alleiniger Verantwortung, dass das Produkt <i>declares under sole responsibility that the product</i>	
Geräteart Device type	Wägezelle <i>Load cell</i>	
Baureihe Type series	PR 6201, PR 6202, PR 6203, PR 6207, PR 6211 D1(500kg-10t), PR 6212, PR 6221, PR 6241, PR 6246, PR 6251, PR 6261, MP 76 (ohne Typ / without type LA or LT)	
	auf das sich diese Bescheinigung bezieht, mit der/den folgenden Norm(en) oder normativen Dokument(en) übereinstimmt (siehe Seite 2) gemäß den Bestimmungen der „Richtlinie 2014/34/EU des Europäischen Parlaments und des Rates vom 26. Februar 2014 zur Harmonisierung der Rechtsvorschriften der Mitgliedstaaten für Geräte und Schutzsysteme zur bestimmungsgemäßen Verwendung in explosionsgefährdeten Bereichen“. Das Produkt wird wie folgt gekennzeichnet: <i>to which this certification relates is in conformity with the following standard(s) or other normative document(s) (see page 2) pursuant to the provisions of the "Directive 2014/34/EU of the European Parliament and of the Council of 26 February 2014 on the harmonisation of the laws of the Member States relating to equipment and protective systems intended for use in potentially explosive atmospheres". This product is labelled as follows:</i>	
Kennzeichnung Marking	II 3G Ex nA IIC T6 Gc II 3D Ex tc IIIC T85°C Dc MIN16ATEX001X	
	Minebea Intec GmbH Hamburg, 09.03.2020	
		
	W.D. Schulze Managing Director	Torben Hiller EX Approval Manager
	Diese Erklärung bescheinigt die Übereinstimmung mit den genannten EU-Richtlinien, ist jedoch keine Zusicherung von Eigenschaften. Bei einer mit uns nicht abgestimmten Änderung des Produktes verliert diese Erklärung ihre Gültigkeit. Die Sicherheitshinweise der zugehörigen Produktdokumentation sind zu beachten. <i>This declaration certifies conformity with the above mentioned EC Directives, but does not guarantee product attributes. Unauthorized product modifications make this declaration invalid. The safety information in the associated product documentation must be observed.</i>	
	1/2 MIN16ATEX001X Rev. 3	



Herstellerbescheinigung Manufacturer's certificate



Die grundlegenden Sicherheits- und Gesundheitsanforderungen werden erfüllt durch Übereinstimmung mit:
Compliance with the Essential Health and Safety Requirements has been assured by compliance with:

Normen Standards

EN 60079-0:2012 + A11:2013

Explosionsgefährdete Bereiche – Teil 0: Geräte - Allgemeine Anforderungen
Explosive atmospheres – Part 0: Equipment - General requirements

EN 60079-15:2010

Explosionsfähige Atmosphäre – Teil 15: Geräteschutz durch Zündschutzart „n“
Explosive atmospheres – Part 15: Equipment protection by type of protection „n“

EN 60079-31:2014

Explosionsfähige Atmosphäre – Teil 31: Geräte-Staubexplosionsschutz durch Gehäuse „t“
Explosive atmospheres – Part 31: Equipment dust ignition protection by enclosure „t“

Diese Bescheinigung wurde auf Basis des folgenden Prüfberichts erstellt:
This certificate was drawn on the basis of the following test report:

Prüfbericht Test Report

MTR0001

Minebea Intec GmbH, Hamburg, Germany

Sicherheitshinweise Safety instructions

949905947901

Umgebungstemperatur Ambient temperature

-30°C ... +55°C

IP-Schutz IP protection

IP6X

Für diese Produkt gelten folgende besonderen Bedingungen für den sicheren Gebrauch:
For this product the following special conditions for safe use apply:


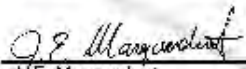
besondere Bedingungen special Conditions


Für Anwendungen in Umgebungen mit brennbaren Stäuben ist eine elektrostatische Aufladung zu vermeiden.
For application in environments with combustible dust, electrostatic charging shall be avoided.

Bei Verwendung der Zündschutzart "Ex nA" ist eine Transientenschutzvorrichtung vorzusehen welche einen Maximalwert von 140% des Spitzenspannungswertes von 85V sicherstellt.

When applied in type of protection non sparking "Ex nA", a transient protection device shall be set at a level not exceeding 140% of the peak rated voltage value of 85 V.

12.7 FM17CA0138

CERTIFICATE OF CONFORMITY		
1.	HAZARDOUS LOCATION ELECTRICAL EQUIPMENT PER CANADIAN REQUIREMENTS	
2.	Certificate No:	FM17CA0138
3.	Equipment: (Type Reference and Name)	Model PR 6201, PR 6202, PR 6203, PR 6211, PR 6212, PR 6221, PR 6241, PR 6246, PR 6251, PR 6261 Load Cells
4.	Name of Listing Company:	Minebea Intec GmbH
5.	Address of Listing Company:	Meien dorfer Str. 205A 22145 Hamburg Germany
6.	The examination and test results are recorded in confidential report number: 3053046 dated 22 nd July 2014	
7.	FM Approvals LLC, certifies that the equipment described has been found to comply with the following Approval standards and other documents: CAN/CSA-C22.2 No. 213: 2013, CAN-C22.2 No. 157-92: 2012, CSA-C22.2 No. 1010.1: 2004, CAN/CSA-C22.2 No. 25: 2009	
8.	If the sign 'X' is placed after the certificate number, it indicates that the equipment is subject to specific conditions of use specified in the schedule to this certificate.	
9.	This certificate relates to the design, examination and testing of the products specified herein. The FM Approvals surveillance audit program has further determined that the manufacturing processes and quality control procedures in place are satisfactory to manufacture the product as examined, tested and Approved.	
10.	Equipment Ratings: Intrinsically safe (Entity) for use in Class I, II and III Division 1, Groups A, B, C, D, E, F and G indoor and outdoor Hazardous Locations, Temperature Class T4A Ta= -40°C to +70°C and T5 Ta= -40°C to +55°C when installed per Control Drawing 4012 101 5688. Nonincendive (NIFW) for use in Class I, Division 2, Groups A, B, C, and D indoor and outdoor Hazardous Locations, Temperature Class T4A Ta= -40°C to +70°C and T5 Ta= -40°C to +55°C when installed per Control Drawing 4012 101 5688.	
Certificate issued by:		
 J.E. Marquardt VP, Manager - Electrical Systems		30 July 2020 Date
To verify the availability of the Approved product, please refer to www.fmaprovals.com		
<u>THIS CERTIFICATE MAY ONLY BE REPRODUCED IN ITS ENTIRETY AND WITHOUT CHANGE</u>		
FM Approvals LLC, 1151 Boston-Providence Turnpike, Norwood, MA 02062 USA T: +1 (1) 781 762 4300 F: +1 (1) 781 762 9375 E-mail: informat@fmaprovals.com , www.fmaprovals.com		
F 349 (Mar 16)		Page 1 of 3

<p>SCHEDULE</p> <p>Canadian Certificate Of Conformity No: FM17CA0138</p> <p>Dust Ignition protected for Class II, III Division 2, Groups E, F and G indoor and outdoor Hazardous Locations, Temperature Class T4A Ta= -40°C to +70°C and T5 Ta= -40°C to +55°C when installed per Control Drawing 4012 101 5688</p> <p>11. The marking of the equipment shall include:</p> <p>IS CL I, II, III, DIV 1, GP A,B,C,D,E,F,G Entity - 4012 101 5688 NI CL I, II, III, DIV 2, GP A,B,C,D, E, F, G - 4012 101 5688; NIFW T4A Ta= -40°C to 70°C; T5 Ta= -40°C to 55°C</p> <p>12. Description of Equipment:</p> <p>General - The Model PR 62xx Series Load Cells are precision compression load cells designed to meet the specific requirements of a wide range of weighing installations.</p> <p>Construction - The Model PR 62xx Series Load Cells are constructed of welded stainless steel, hermetically sealed, and filled with inert gas.</p> <p>Ratings - The Model PR 62xx Series Load Cells are rated for an operating temperature range of -40°C to 70°C. Entity and Nonincendive Field Wiring parameters are as defined below.</p> <p>PR 62a/bc d e. Load Cell.</p> <p>Entity/Nonincendive Field Wiring Parameters: Ui = 25 V, li = 160 mA, Pi = 2 W; Ci= 0 µF, Li= 0 mH.</p> <p>a = 01, 02, 03, 11, 12, 21, 41, 46, 51, 61 b = up to three numbers denoting the maximum capacity (may be separated by a dot) c = Unit of measurement: blank or t d = Accuracy: up to three numbers or letters (may be separated by dots) e = Special: F or blank</p> <p>13. Specific Conditions of Use:</p> <p>None</p> <p>14. Test and Assessment Procedure and Conditions:</p> <p>This Certificate has been issued in accordance with FM Approvals Canadian Certification Scheme.</p> <p>15. Schedule Drawings</p> <p>A copy of the technical documentation has been kept by FM Approvals.</p> <p>16. Certificate History</p> <p>Details of the supplements to this certificate are described below:</p> <p><u>THIS CERTIFICATE MAY ONLY BE REPRODUCED IN ITS ENTIRETY AND WITHOUT CHANGE</u></p> <p>FM Approvals LLC, 1151 Boston-Providence Turnpike, Norwood, MA 02062 USA T: +1 (1) 781 762 4300 F: +1 (1) 781 762 9375 E-mail: information@fmaprovals.com www.fmaprovals.com</p> <p>F 348 (Mar 16)</p>	 <p>Member of the FM Global Group</p>
--	--

SCHEDULE

Canadian Certificate Of Conformity No: FM17CA0138



Member of the FM Global Group

Date	Description
22 nd July 2014	Original Issue.
6 th October 2017	<u>Supplement 3:</u> Report Reference: – RR210028 dated 6 th October 2017. Description of the Change: Company name change from Sartorius Mechatronics T&H GmbH. Certificate reformed.
10 th November 2017	<u>Supplement 4:</u> Report Reference: – RR211742 dated 10 th November 2017. Description of the Change: Addition of option a = 03.
24 th October 2018	<u>Supplement 5:</u> Report Reference: – RR215447 dated 24 th October 2018 . Description of the Change: Update lower operating temperatures from -30°C to -40°C.
30 th July 2020	<u>Supplement 6:</u> Report Reference: – RR224030 dated 30 th July 2020. Description of the Change: Added load cell variation PR 6261.

FM Approvals


FM Approvals

THIS CERTIFICATE MAY ONLY BE REPRODUCED IN ITS ENTIRETY AND WITHOUT CHANGE

FM Approvals LLC, 1151 Boston-Providence Turnpike, Norwood, MA 02062 USA
T: +1 (1) 781 762 4300 F: +1 (1) 781 762 9375 E-mail: information@fmaprovals.com www.fmaprovals.com

F 348 (Mar 16)
Page 3 of 3

12.8 FM17US0276



CERTIFICATE OF CONFORMITY

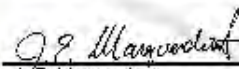
1. HAZARDOUS (CLASSIFIED) LOCATION ELECTRICAL EQUIPMENT PER US REQUIREMENTS
2. Certificate No: FM17US0276
3. Equipment: (Type Reference and Name) Model PR 6201, PR 6202, PR 6203, PR 6211, PR 6212, PR 6221, PR 6241, PR 6246, PR 6251, PR 6261 Load Cells
4. Name of Listing Company: Minebea Intec GmbH
5. Address of Listing Company: Meindorfer Str. 205A
22145 Hamburg
Germany
6. The examination and test results are recorded in confidential report number:

3001200 dated 12th August 1999
7. FM Approvals LLC, certifies that the equipment described has been found to comply with the following Approval standards and other documents:

FM Class 3600:2016, FM Class 3610:2010, FM Class 3611:2004, FM Class 3810:2005
8. If the sign 'X' is placed after the certificate number, it indicates that the equipment is subject to specific conditions of use specified in the schedule to this certificate.
9. This certificate relates to the design, examination and testing of the products specified herein. The FM Approvals surveillance audit program has further determined that the manufacturing processes and quality control procedures in place are satisfactory to manufacture the product as examined, tested and Approved.
10. Equipment Ratings:

Intrinsically safe (Entity) for use in Class I, II and III Division 1, Groups A, B, C, D, E, F and G indoor and outdoor Hazardous (Classified) Locations, Temperature Class T4A Ta= -40°C to +70°C and T5 Ta= -40°C to +55°C when installed per Control Drawing 4012 101 5688.
Nonincendive (NIFW) for use in Class I, II and III Division 2, Groups A, B, C, D, E, F and G indoor and outdoor Hazardous (Classified) Locations, Temperature Class T4A Ta= -40°C to +70°C and T5 Ta= -40°C to +55°C when installed per Control Drawing 4012 101 5688.

Certificate issued by:



 J.E. Marquardt
 VP, Manager - Electrical Systems

 30 July 2020
 Date

To verify the availability of the Approved product, please refer to www.approvalsusa.com

THIS CERTIFICATE MAY ONLY BE REPRODUCED IN ITS ENTIRETY AND WITHOUT CHANGE

FM Approvals LLC, 1151 Boston-Providence Turnpike, Norwood, MA 02062 USA
 T: +1 (1) 781 762 4300 F: +1 (1) 781 762 9375 Email: info@fmapprovals.com www.fmapprovals.com

F 347 (Mar 16) Page 1 of 3

<u>SCHEDULE</u>	
US Certificate Of Conformity No: FM17US0276	
11.	<p>The marking of the equipment shall include:</p> <p>IS CL I, II, III, DIV 1, GP A,B,C,D,E,F,G Entity - 4012 101 5688 NI CL I, II, III, DIV 2, GP A,B,C,D,E,F,G - 4012 101 5688; NIFW T4A Ta= -40°C to 70°C; T5 Ta= -40°C to 55°C</p>
12.	<p>Description of Equipment:</p> <p>General - The Model PR 62xx Series Load Cells are precision compression load cells designed to meet the specific requirements of a wide range of weighing installations.</p> <p>Construction - The Model PR 62xx Series Load Cells are constructed of welded stainless steel, hermetically sealed, and filled with inert gas.</p> <p>Ratings - The Model PR 62xx Series Load Cells are rated for an operating temperature range of -40°C to 70°C. Entity and Nonincendive Field Wiring parameters are as defined below.</p> <p>PR 62a/bc d e. Load Cell.</p> <p>Entity/Nonincendive Field Wiring Parameters: Ui = 25 V, li = 160 mA, Pi = 2 W; Ci= 0 µF, Li= 0 mH.</p> <p>a = 01, 02, 03, 11, 12, 21, 41, 46, 51, 61 b = up to three numbers denoting the maximum capacity (may be separated by a dot) c = Unit of measurement: blank or t d = Accuracy: up to three numbers or letters (may be separated by dots) e = Special: F or blank</p>
13.	<p>Specific Conditions of Use:</p> <p>None</p>
14.	<p>Test and Assessment Procedure and Conditions:</p> <p>This Certificate has been issued in accordance with FM Approvals US Certification Requirements.</p>
15.	<p>Schedule Drawings</p> <p>A copy of the technical documentation has been kept by FM Approvals.</p>
<u>THIS CERTIFICATE MAY ONLY BE REPRODUCED IN ITS ENTIRETY AND WITHOUT CHANGE</u>	
<p>FM Approvals LLC, 1151 Boston-Providence Turnpike, Norwood, MA 02062 USA T: +1 (1) 781 762 4300 F: +1 (1) 781 762 9375 E-mail: information@fmaprovals.com www.fmaprovals.com</p>	
F 347 (Mar 16)	Page 2 of 3

SCHEDULE



US Certificate Of Conformity No: FM17US0276

16. Certificate History

Details of the supplements to this certificate are described below:

Date	Description
12 th August 1999	Original Issue.
6 th October 2017	<u>Supplement 7:</u> Report Reference: – RR210028 dated 6 th October 2017. Description of the Change: Company name change from Sartorius Mechatronics T&H GmbH. Certificate reformed.
10 th November 2017	<u>Supplement 8:</u> Report Reference: – RR211742 dated 10 th November 2017. Description of the Change: Addition of option a = 03.
24 th October 2018	<u>Supplement 9:</u> Report Reference: – RR215447 dated 24 th October 2018. Description of the Change: Update lower operating temperatures from -30°C to -40°C. Update FM Class 3600 from 2011 to 2018.
30 th July 2020	<u>Supplement 10:</u> Report Reference: – RR224030 dated 30 th July 2020. Description of the Change: Added load cell variation PR 6261.

THIS CERTIFICATE MAY ONLY BE REPRODUCED IN ITS ENTIRETY AND WITHOUT CHANGE

FM Approvals LLC, 1151 Boston-Providence Turnpike, Norwood, MA 02062 USA
 T: +1 (1) 781 762 4300 F: +1 (1) 781 762 9375 E-mail: information@fmaprovals.com www.fmaprovals.com

F 347 (Mar 16)

Page 3 of 3

12.9 4012 101 5688

Weitergabe sowie Vervielfältigung dieses Dokuments, Verwertung und Mitteilung seines Inhaltes sind verboten, soweit nicht ausdrücklich gestattet. Zuwiderhandlungen verpflichten zu Schadensersatz. Alle Rechte für den Fall der Patent-, Gebrauchsmuster- oder Geschmackschutzverletzung vorbehalten.

The copying, distribution and utilization of this document as well as the communication of its contents to others without expressed authorization is prohibited. Offenders will be held liable for the payment of damages. All rights reserved in the event of the grant of a patent, utility model or ornamental design registration.

Hazardous (Classified) Location
Class I, II, III, Division 1, Groups A,B,C,D,E,F,G

Minebea Intec
Load Cell Series PR62..

$U_i = 25V, l_i = 0.16A$
 $P_i = 2W$
 $L_i = 0, C_i = 0$

Hazardous (Classified) Location
Class I, II, III, Division 2, Groups A,B,C,D,E,F,G

Minebea Intec
Load Cell Series PR62..

$V_{max} = 25V$

Notes


- 1) In the **USA**: The installation must be in accordance with the National Electrical Code[®], NFPA 70 and ANSI / ISA-RP 12.06.01.
In **Canada**: The installation must be in accordance with the Canadian Electrical Code[®], Part 1.
- 2) The apparatus must not be connected to any device that uses or generates in excess of 250Vrms or DC.
 $U_{0i} = 250V$.
- 3) In the **USA**: The Apparatus must be connected to a suitable ground electrode per National Electrical Code[®], NFPA 70, Article 504. The resistance of the ground pad must be less than 1 ohm.
In **Canada**: The Apparatus must be connected to a suitable ground electrode per Canadian Electrical Code[®], Part 1. The resistance of the ground pad must be less than 1 ohm.
The load cell ground (housing) must be insulated from the surface on which it is mounted or be at the same potential of the NRTL approved apparatus ground as per installation drawings.
- 4) **Connection must be made in accordance with the manufacturer's instructions** of the NRTL approved apparatus.
- 5) The Entity Concept allows interconnection of intrinsically safe apparatus with associated apparatus not specifically examined in combination as a system when the approved values of V_o and I_o of the associated apparatus are less than or equal to V_i and I_i of the intrinsically safe apparatus and the approved values of C_o and L_o of the associated apparatus are greater than C_i and L_i of the intrinsically safe apparatus plus all cable parameters
- 7) Ambient temperature range:
-40°C ... +55°C (-40°F ... +131°F) for T5 and -40°C ... +70°C (-40°F ... +158°F) for T4A.
- 8) **WARNING:** SUBSTITUTION OF COMPONENTS MAY IMPAIR INTRINSIC SAFETY
AVERTISSEMENT: LA SUBSTITUTION DE COMPOSANTS PEUT COMPROMETTRE LA SÉCURITÉ INTRINSÈQUE

Ex	Datum	Name	Material
Erstellt Written by	20.08.18	Schallhorn	Minebea intec
Geprüft Reviewed by	20.08.18	Hiller	
Freigabe Released by	20.08.18	Schallhorn	

Benennung / Title		Maßstab / Scale
Load Cells Series PR62..		1:1
Zeichnungs-Nr. / Drawing number	Teildok. Nr. / Part doc. no	1
4012 101 5688	592	1


Ausgabe / Revision	Änderung / Alteration
04	PA60180542

12.10 MEU17034



EU-Declaration of Conformity
(in accordance with ISO/IEC 17050-1)

MEU17034 Rev. 2



**Minebea
intec**
The true measure

1. Product model / product number / solely valid for project number:
 - 1.1 Compression S-Type Load Cell / PR 6241 / —
 - 1.2 Compression S-Type Load Cell + Converter Connexx ® / PR 6241 + PR 6150 | —

2. Name and address of the manufacturer (2.1) and his authorized representative (2.2):
 - 2.1 Minebea Intec GmbH, Meindorfer Straße 205 A, 22145 Hamburg, Germany
 - 2.2 /

3. This declaration of conformity is issued under the sole responsibility of the manufacturer.

4. Object(s) of the declaration:
 - 4.1 PR 6241; PR 6241+ PR 6150
 - 4.2 PR 6241 (A.1)
 - 4.3 PR 6241 (A.2)
 - 4.4 PR 6241/___E

5. The object(s) of the declaration described above is in conformity with the relevant Union harmonization legislation:

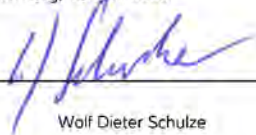
	(4.1)	(4.2)	(4.3)	(4.4)
5.1	2014/30/EU	(6.1)	(6.1)	(6.1)
5.2	2011/65/EU	(6.2)	(6.2)	(6.2)
5.3	2014/34/EU	(6.3)	(6.4)	(6.5)

6. References to the relevant harmonized standards used or references to the other technical specifications in relation to which conformity is declared:
 - 6.1 2014/30/EU EN 61326-1:2013, EN 61000-4-20:2010
 - 6.2 2011/65/EU EN 50581:2012
 - 6.3 2014/34/EU EN 60079-0:2012+A11:2013, EN 60079-15:2010, EN 60079-31:2014
 - 6.4 2014/34/EU EN 60079-0:2012+A11:2013, EN 60079-31:2014
 - 6.5 2014/34/EU EN 60079-0:2012+A11:2013, EN 60079-11:2012


7. The notified body w performed x and issued the certificate y relevant for z:

	w	x	y	z
7.1	/	Manufacturer's certificate	MIN16ATEX001X	(4.2)
7.2	0032	EC-Type Examination Certificate	TÜV 03 ATEX 2301 X	(4.3)
7.3	0158	EC-Type Examination Certificate	BVS 16 ATEX E 005	(4.4)
7.4	0102	Production Quality Assessment Notification	PTB 02 ATEX Q010	(4.3), (4.4)

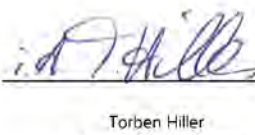
Minebea Intec GmbH
Hamburg, 13. Jan. 2020



Wolf Dieter Schulze
Managing Director



Oliver Freitag
CE Certification



Torben Hiller
Ex Approval Manager

1/6






EU-Declaration of Conformity

(in accordance with ISO/IEC 17050-1)

MEU17034 Rev. 2



A. Additional information on ():

A.1	(7.1)	Marking		II 3G Ex nA IIC T6 Gc II 3D Ex tc IIC T85°C Dc MIN 16 ATEX 001 X
A.2	(7.2)	Marking		II 1 D Ex ta IIC T160 °C Da TÜV 03 ATEX 2301 X
A.3	(7.3)	Marking		II 1G Ex ia IIC T6 Ga BVS 16 ATEX E 005
A.4	(6.4)	The above-mentioned product is in line with the requirements of the directive 2014/34/EU. One or more of the European Standards mentioned are already replaced by new editions. The manufacturer declares that the product also complies with these new editions, as the changed requirements of the new Standards do not affect the product.		



EU-Declaration of Conformity

(in accordance with ISO/IEC 17050-1)



MEU17034 Rev. 2

Декларация за съответствие (bg)

Декларация за съответствие
 1. Модел на продукта / Номер на продукта / валидно само за номера на проекта:
 2. Наименование и адрес на производителя (2.1) и на неговия упълномощен представител (2.2):
 3. Настоящата декларация за съответствие е издадена на отговорността на производителя.
 4. Предмет(и) на декларацията:
 5. Предмет(и) (ите) на декларацията, отнесен(и) по-горе отговаря(ят) на съответното законодателство на Съюза за хармонизирант.
 6. Познаване на приложимите хармонизирани стандарти или изложение на други технически изисквания, по отношение на които се декларира съответствие.
 7. Отговорният орган в извърши X и издаде сертификата Y, отнасящ се за Z:
 A. Допълнителна информация за ():
 A.1 Маркировка
 A.2 Маркировка
 A.3 Маркировка
 A.4 Горепосоченият продукт съответства на изискванията на Директива 2014/34/EC. Една или повече от упоменатите европейски стандарти вече са заменени от нови издания. Производителът декларира, че продуктът съответства и на тези нови издания, тъй като промените не касаят продукта.

Prohlášení o shodě (cs)

Prohlášení o shodě
 1. Model výrobku / číslo výrobku / platné pouze pro číslo projektu:
 2. Jméno a adresa výrobce (2.1) a jeho zplnomocněného zástupce (2.2):
 3. Toto prohlášení o shodě se vydává na výhradní odpovědnost výrobce.
 4. Předmět(y) prohlášení:
 5. Výše popsaný předmět / Výše popsané předměty prohlášení je/ jsou ve shodě s příslušnými harmonizačními právními předpisy Únie.
 6. Odkaz(y) na příslušné harmonizační normy, které byly použity, nebo na jiné technické specifikace, na jejichž základě se shoda prohlašuje.
 7. Oznamovaný subjekt v provedl X a vydal certifikát Y relevantní z hlediska Z:
 A. Další informace o ():
 A.1 Označení
 A.2 Označení
 A.3 Označení
 A.4 Výše uvedený výrobek je v souladu s požadavky směrnice Evropského parlamentu a Rady 2014/34/EU. Jedna nebo více uvedených evropských norem již byly nahrazeny novými vydáními. Výrobce prohlašuje, že výrobek je v souladu i s těmito novými vydáními, neboť upravené požadavky těchto nových norem nemají na výrobek vliv.

Overensstemmelseserklæring (da)

Overensstemmelseserklæring
 1. Produktmodel / produktnummer / gælder kun for projektnummer:
 2. Fabrikantens (2.1) og dennes bemyndigede repræsentants (2.2) navn og adresse:
 3. Denne overensstemmelseserklæring udstedes på fabrikantens ansvar.
 4. Genstand(e) for erklæringen:
 5. Genstand(e) for erklæringen, som beskrevet ovenfor, er i overensstemmelse med den relevante EU-harmoniseringslovgivning.
 6. Referencer til de relevante anvendte harmoniserede standarder eller til de andre tekniske specifikationer, som der erklæres overensstemmelse med.
 7. Det bemyndigede organ v har foretaget X og udstedt attesten y, der gælder for Z:
 A. Supplerende oplysninger om ():
 A.1 Mærkning
 A.2 Mærkning
 A.3 Mærkning
 A.4 Ovenstående produkt opfylder kravene i direktiv 2014/34/EU. En eller flere af de anførte europæiske standarder er allerede blevet erstattet af nye udgaver. Fabrikanten erklærer, at produktet også er i overensstemmelse med de nye udgaver, idet de ændrede krav i de nye standarder ikke berører produktet.

Deutsch (de)

Konformitätserklärung
 1. Produktmodell / Produktnummer / gilt ausschließlich für Projekt-Nr.:
 2. Name und Anschrift des Herstellers (2.1) und seines Bevollmächtigten (2.2):
 3. Die alleinige Verantwortung für die Ausstellung dieser Konformitätserklärung trägt der Hersteller.
 4. Gegenstände der Erklärung:
 5. Die oben beschriebenen Gegenstände der Erklärung erfüllen die einschlägigen Harmonisierungsrichtsvorschriften der Union bzw. Angabe der einschlägigen harmonisierten Normen oder der anderen technischen Spezifikationen, die der Konformitätserklärung zugrunde gelegt wurden.
 7. Die notifizierte Stelle w hat X und die für Z relevante Bescheinigung Y ausgestellt:
 A. Zusatzangaben zu ():
 A.1 Kennzeichnung
 A.2 Kennzeichnung
 A.3 Kennzeichnung
 A.4 Das oben genannte Produkt erfüllt die Anforderungen der Richtlinie 2014/34/EU. Mindestens eine der aufgeführten europäischen Normen ist bereits durch eine neue Ausgabe ersetzt worden. Der Hersteller erklärt, dass das Produkt mit diesen neuen Ausgaben ebenfalls konform ist, da die geänderten Anforderungen der neuen Normen das Produkt nicht betreffen.

Ελληνικό (el)

Δήλωση συμμόρφωσης
 1. Μοντέλο προϊόντος / αριθμός προϊόντος / ισχύει μόνο για τον αριθμό του έργου.
 2. Όνομα και διεύθυνση του κατασκευαστή (2.1) και του εξουσιοδοτημένου αντιπροσώπου του (2.2).
 3. Η παρούσα δήλωση συμμόρφωσης εκδίδεται με αποκλειστική ευθύνη του κατασκευαστή.
 4. Στοιχεία της δήλωσης.
 5. Ο στόχος της δήλωσης και περιγράφεται παραπάνω είναι σύμφωνα με τη σχετική ενωσιακή νομοθεσία/εναρμόνιση.
 6. Παραπομπές στο σχετικό εναρμονισμένο πρότυπο που χρησιμοποιήθηκαν ή παραπομπές στις λοιπές τεχνικές προδιαγραφές σε σχέση με τις οποίες δηλώνεται η συμμόρφωση.
 7. Ο κοινοποιημένος οργανισμός W διαδέφει X και εξέδωσε το πιστοποιητικό Y όπως απαιτείται για Z.
 A. Προσθήκες πληροφοριών σχετικά με ():
 A.1 Σήμανση
 A.2 Σήμανση
 A.3 Σήμανση
 A.4 Το προαναφερθέν προϊόν συμμορφώνεται με τις απαιτήσεις της οδηγίας 2014/34/ΕΕ. Ένα ή περισσότερα από τα αναφερόμενα ευρωπαϊκά πρότυπα έχουν αντικατασταθεί ήδη από νέες εκδόσεις. Ο κατασκευαστής δηλώνει ότι το προϊόν συμμορφώνεται επίσης με τις εν λόγω νέες εκδόσεις, καθώς οι τροποποιημένες απαιτήσεις των νέων προτύπων δεν επηρεάζουν το προϊόν.

ελληνικό (es)

Declaración de conformidad
 1. Modelo de producto/número de producto / únicamente válido para el número de proyecto:
 2. Nombre y dirección del fabricante (2.1) y de su representante autorizado (2.2).
 3. La presente declaración de conformidad se expide bajo la exclusiva responsabilidad del fabricante.
 4. Objeto(s) de la declaración:
 5. El/Los objeto(s) de la declaración descrito(s) anteriormente son conformes con la legislación de armonización pertinente de la Unión Europea.
 6. Referencias a las normas armonizadas pertinentes utilizadas o referencias a las cuales se especificaciones técnicas respecto a las cuales se declara la conformidad.
 7. El organismo notificado W ha efectuado X y expedido el certificado Y relevante para Z.
 A. Información adicional en ():
 A.1 Marcado
 A.2 Marcado
 A.3 Marcado
 A.4 El producto mencionado anteriormente cumple con los requisitos de la directiva 2014/34/UE. Una o más de las normas europeas mencionadas ya se han substituido por nuevas ediciones. El fabricante declara que el producto también cumple con estas nuevas ediciones, ya que los requisitos modificados de las nuevas normas no afectan al producto.



EU-Declaration of Conformity

(in accordance with ISO/IEC 17050-1)

MEU17034 Rev. 2

Minebea
intec
The true measure

estni keel (et)

Vastavusdeklaratsioon
1. Tootemudel / tootenumber / kalendi vaaht järgmise projekti puhul.
2. Tootja nimi ja aadress (2.1) ning tema volitatud esindaja (2.2).
3. Käesolev vastavusdeklaratsioon on välja antud tootja aumärgistuseel.
4. Deklareeritava toode:
5. Üllalpideldatud deklareeritava toode on kooskõlas asjaomaste liidu ühustamisaktidega.
6. Viited kasutatud harmoneeritud standarditele spetsifikatsioonidele, millele vastavus deklareeritakse:
7. Teavitatud asutus on teostas x ja andis välja teendi z, mis on asjakohane y-le:
A. Lisateave järgmise kohta ():
A.1 Märkus
A.2 Märkus
A.3 Märkus
A.4 Üldmääratud toode on kooskõlas direktiivi 2014/34/EL nõuetega. Üks või mitu meetarit Euroopa standardit on asendatud juba olemasolevatega. Tootja kinnitab, et toode on kooskõlas ka nende uute väljamõeldega, kuna nure standardite muudatid nõuded ei mõjuta toodet.

magyar (hu)

Megfelelőségi nyilatkozat
1. Termélmudel / termékszám / kizárólag az alábbi projektszámhoz érvényes:
2. A gyártó (2.1) vagy adott esetben meghatalmazott képviselőjének (2.2) neve és címe.
3. Ezt a megfelelőségi nyilatkozatot a gyártó kizárólagos felelősége mellett adja ki.
4. A nyilatkozat tárgya (z).
5. A fent ismertetett nyilatkozatot tárgya megfelel a vonatkozó uniósi harmonizációs jogszabályoknak.
6. Az alkalmazott harmonizált szabványokra való hivatkozás vagy az azokra az egyéb műszaki leírásokra való hivatkozás, amelyekkel kapcsolatban megfelelőségi nyilatkozatot tettek.
7. A(z) y bejelentést szervezettel elvégzte a(z) x ajánlat, és kiállította a(z) z kapcsolódó y hivatkozást.
A. További információk ():
A.1 Jelölés
A.2 Jelölés
A.3 Jelölés
A.4 A fentebb megnevezett termék megfelel a 2014/34/EU irányelvben foglalt követelményeknek. Egy vagy több említett Európai szabvány a kiállítás óta frissült. A gyártó kijelenti, hogy a termék megfelel a szabványok legújabb kiadásában foglalt követelményeknek, mivel a szabvány módosításai nem érintik az adott terméket.

francés (fr)

Déclaration de conformité
1. Modèle / numéro de produit / valable uniquement pour le numéro de projet.
2. Nom et adresse du fabricant (2.1) et de son mandataire (2.2).
3. La présente déclaration de conformité est établie sous la seule responsabilité du fabricant.
4. Objet(s) de la déclaration.
5. Le ou les objets de la déclaration décrit ci-dessus est/sont conforme(s) à la législation d'harmonisation de l'Union applicable.
6. Références des normes harmonisées pertinentes appliquées ou des autres spécifications techniques par rapport auxquelles la conformité est déclarée.
7. L'organisme notifié w a effectué x et a établi l'attestation y applicable à z:
A. Informations complémentaires relatives à ():
A.1 Marque
A.2 Marque
A.3 Marque
A.4 Le produit mentionné est conforme aux exigences de la directive 2014/34/UE. Une ou plusieurs des normes européennes mentionnées ont déjà été remplacées par de nouvelles éditions. Le fabricant déclare que le produit est également conforme à ces nouvelles éditions, dans la mesure où les exigences modifiées des nouvelles normes n'affectent pas le produit.

italiano (it)

Dichiarazione di conformità
1. Modello di prodotto / numero di prodotto / valido unicamente per numero di progetto.
2. Nome e indirizzo del fabbricante (2.1) e del relativo rappresentante autorizzato (2.2).
3. La presente dichiarazione di conformità è rilasciata sotto la responsabilità esclusiva del fabbricante.
4. Oggetto/i della dichiarazione.
5. L'oggetto o gli oggetti della dichiarazione di cui sopra sono conformi alla pertinente normativa di armonizzazione dell'Unione.
6. Riferimento alle pertinenti norme armonizzate utilizzate o riferimenti alle altre specifiche tecniche in relazione alle quali è dichiarata la conformità.
7. L'organismo notificato w ha effettuato x e rilasciato il certificato y pertinente a z:
A. Informazioni aggiuntive su ():
A.1 Marcatura
A.2 Marcatura
A.3 Marcatura
A.4 Il prodotto menzionato in precedenza è conforme alle prescrizioni della direttiva 2014/34/UE. Una o più norme UE menzionate sono già state sostituite da nuove versioni. Il fabbricante dichiara che il prodotto è conforme anche alle nuove versioni in quanto le prescrizioni modificate delle nuove norme non interessano il prodotto.

hrvatski (hr)

Izjava o skladnosti
1. Model proizvoda / broj proizvoda / vrijedi samo za broj projekta.
2. Naziv i adresa proizvođača (2.1) i njegovog ovlaštenog zastupnika (2.2).
3. Za izdavanje ove izjave o skladnosti odgovoran je isključivo proizvođač.
4. Predmet(i) izjave:
5. Predmet(i) navedene izjave jesu u skladu s odgovarajućim zakonodavstvom Unije o uskladjivanju.
6. Pozivajući na relevantne primjenjene usklađene norme ili pozivajući na osude tehničke specifikacije u vezi s kojima se izjavljuje skladnost.
7. Prijavljeno tijelo w provelo je x i izdalo certifikat y koji je relevantan za z:
A. Dodatne informacije o proizvodu ():
A.1 Označavanje
A.2 Označavanje
A.3 Označavanje
A.4 Prethodno navedeni proizvod u skladu je sa zahtjevima Direktive 2014/34/EU. Jedna ili više navedenih europskih normi već je zamijenjeno novim izdanjima. Proizvođač izjavljuje da je proizvod u skladu i s tim novim izdanjima, jer se izmijenjeni zahtjevi ili novi normi ne odnose na proizvod.

Laiym kalbys (lt)

Atitikties deklaracija
1. Gaminto modelis / gaminto numeris / galioja tik projekto numerui.
2. Gamintojo (2.1) ir jo įgaliojoto atstovo (2.2) pavadinimas ir adresas.
3. Ši atitikties deklaracija išduota tik gamintojo atsakomybe.
4. Deklaracijos objektas (objektai).
5. Pirminiu aprašytas deklaracijos objektas (objektai) atitinka esančius derinamuosius Sąjunga teisės aktus.
6. Susijusių techninių specifikacijų, pagal kurias buvo deklaruota atitiktis, mucedos arba kitų techninių specifikacijų, pagal kurias buvo deklaruota atitiktis, mucedos.
7. Notifikacijos įstaga w atliko x ir išdavė sertifikatą y dėl z:
A. Papildoma informacija ():
A.1 Ženklinimas
A.2 Ženklinimas
A.3 Ženklinimas
A.4 Pirminiu aprašytas gaminytis atitinka Direktyvos 2014/34/ES reikalavimus. Vienas ar keli mucedoti Europos standartai jau pakeisti nauja redakcija. Gamintojas patvirtina, kad gaminytis laikytis atitinka naujaja redakcija, nes pakeisti naujaji standartai reikalavimai gaminiui poveikio neturi.



EU-Declaration of Conformity

(in accordance with ISO/IEC 17050-1)

Minebea
intec
The true measure

MEU17034 Rev. 2

latviski valoda (lv)

Atbilstības deklarācija
1. Produkta modeļa / produkta numurs / deģis-
tīha projekta Nr.:
2. Ražotāja (2.1.) un tā pilnvarotā pārstāvja (2.2.)
nosaukums un adrese:
3. Šī atbilstības deklarācija ir izdota vienīgi ar
ražotāja atbildību.
4. Deklarācijas priekšmets vai priekšmēti:
5. Iepriekš aprakstītais deklarācijas priekšmets vai
priekšmēti atbilst attiecīgajam Savienības
saskaņotības tiesību aktam:
6. Atsauces uz attiecīgajiem izstrādājumiem
saskaņotajiem standartiem vai uz citām
iešmidzajām specifikācijām, attiecībā uz ko tiek
deklarēta atbilstība:
7. Paziņotā struktūra ir tā, kā ir izstrādāta
sertifikāta y, kas attiecas uz z:
A. Papildu informācija par ():
A.1. Marķējums
A.2. Marķējums
A.3. Marķējums
A.4. Iepriekš minētais produkts atbilst Direktīvas
2014/34/EU prasībām. Viens vai vairāki no
minētajiem Eiropas standartiem jāpiemin
jauktās versijās. Ražotājs apliecinā, ka produkts
atbilst arī šīm jauktajām versijām, ja šāds
standarts mainījis prasības noteiktā produktā.

mulji (mt)

Dikjarazzjoni ta' konformità
1. Modeli tal-prodott / numru tal-prodott / validità
biss għan-numru tal-prodott:
2. L-isem u l-indirizz tal-manifattur (2.1) u (ar-
rappreżentant awtorizzat tiegħu (2.2)):
3. Din id-dikjarazzjoni ta' konformità (intareg-
lat) ir-responsabbiltà unika tal-manifattur:
4. L-għan(jiet) (tal-dikjarazzjoni):
5. L-għan(jiet) (tal-dikjarazzjoni deskritt(i) hawn
fuq hu/wa(hu)na) konformi mal-legislazzjoni ta'
armonizzazzjoni rilevanti (tal-Unjoni).
6. Ir-referenzi għall-standards armonizzati
rilevanti li mutaw, jow ir-referenzi għall-
ispeċifikazzjonijiet teknici l-oħra li skonthom qod
l-għidjaranta l-konformità.
7. Il-korp notifikat w wettaq x u hureg le-
certifikat u rilevanti għal z:
A. Informazzjoni addizzjonali fuq ():
A.1. Immarkar
A.2. Immarkar
A.3. Immarkar
A.4. Il-prodott msemmi hawn fuq huwa
l-konformità mar-rekwiżiti tal-Direttiva
2014/34/UE. Wieheh jedw aktar mill-istandards
Ewropej imsemmija digħi jew sorsjoni
l-edizzjonijiet godda biss. Il-manifattur jiddikjara
li l-prodott huwa konformi wkoll mal-down l-
edizzjonijiet godda, għax ir-rekwiżiti tal-
istandards il-godda ma jaffetwawx il-prodott.

nederland (nl)

Conformiteitsverklaring
1. Productmodel / productnummer / uitvoerend,
geldig voor projectnummer:
2. Naam en adres van de fabrikant (2.1) en zijn
gemachtigde (2.2):
3. Deze conformiteitsverklaring wordt verstrekt
onder volledige verantwoordelijkheid van de
fabrikant.
4. Voorwerpen van de verklaring:
5. Het (de) hierboven beschreven voorwerpen (is
(zijn) in overeenstemming met de desbetreffende
harmonisatievergeving van de Unie:
6. Vermelding van de toegepaste relevante
geharmoniseerde normen of van de overige
technische specificaties waarop de
conformiteitsverklaring betrekking heeft:
7. De aangemelde instantie w heeft een x
uitgevoerd en het certificaat y verstrekt dat
relevant is voor z:
A. Aanvullende informatie over ():
A.1. Markering
A.2. Markering
A.3. Markering
A.4. Het bovengenoemde product voldoet aan de
eisen van Richtlijn 2014/34/UE. Een of meer van
de genoemde Europese normen zijn inmiddels
vervangen door nieuwe versies. De fabrikant
verklaart dat het product ook aan deze nieuwe
versies voldoet, uitgezien de gewijzigde eisen
van de nieuwe normen geen gevolgen hebben
voor het product.

poľski (pl)

Deklaracja zgodności
1. Model produktu / numer projektu / ważny
wykazanie dla projektu o numerze:
2. Nazwa i adres producenta (2.1) oraz jego
upoważnionego przedstawiciela (2.2):
3. Niniejsza deklaracja zgodności wydana zostaje
na wyłączną odpowiedzialność producenta.
4. Przedmiot(-y) deklaracji:
5. Wymieniony powyżej przedmiot (lub
przedmioty) niniejszej deklaracji jest zgodny(-y)
z odnośnymi wymaganiami krajowego
prawnodawstwa harmonizacyjnego:
6. Odwołania do odnośnych norm
zharmonizowanych, które zastosowano, lub
do innych specyfikacji technicznych, w stosunku
do których deklarowana jest zgodność.
7. Jednostka notyfikowana w przeprowadziła x
i wydała certyfikat y odpowiedni dla z:
A. Informacje dodatkowe o ():
A.1. Oznakowanie
A.2. Oznakowanie
A.3. Oznakowanie
A.4. Wyżej wymieniony produkt jest zgodny
z wymaganiami Dyrektywy 2014/34/UE.
Co najmniej jedna wymieniona norma europejska
została już zastąpiona nowymi wydaniami.
Producent oświadcza, że produkt spełnia
wymagania także takich nowych wydań norm,
gdyż zmienione wymagania zawarte w nowych
normach nie mają wpływu na produkt.

portugues (pt)

Declaração de conformidade
1. Modelo do produto / número do produto /
somente válido para o número do projeto:
2. Nome e endereço do fabricante (2.1) e do seu
mandatário (2.2):
3. A presente declaração de conformidade é
emitida sob a exclusiva responsabilidade do
fabricante.
4. Objeto(s) da declaração:
5. O(s) objeto(s) da declaração acima descrito(s)
está(ão) em conformidade com a legislação
aplicável de harmonização da União:
6. Referências às normas harmonizadas aplicáveis
utilizadas ou às outras especificações técnicas em
relação às quais é declarada a conformidade:
7. O organismo notificado w realizou x e emitiu o
certificado y relevante para z:
A. Informações complementares relativa a ():
A.1. Marcação
A.2. Marcação
A.3. Marcação
A.4. O produto acima mencionado está em
conformidade com os requisitos da diretiva
2014/34/UE. Uma ou mais das Normas Europeias
mencionadas acima já foram substituídas por
novas edições. O fabricante declara que o produto
também está em conformidade com essas novas
edições, uma vez que os requisitos alterados
dessas novas Normas não afetam o produto.

română (ro)

Declarație de conformitate
1. Modelul de produs / Număr produs / valabil
numai pentru numărul proiectului:
2. Denumirea și adresa producătorului (2.1) și a
reprezentantului său autorizat (2.2):
3. Prezenta declarație de conformitate este emisă
pe răspunderea exclusivă a producătorului.
4. Obiectul (obiectele) declarației:
5. Obiectul (obiectele) declarației descris(e) mai sus
sunt în conformitate cu legislația relevantă de
armonizare a Uniunii.
6. Trimiterea la standardele armonizate relevante
folosite sau trimiterea la celelalte specificații
tehnice în legătură cu care se declară
conformitatea.
7. Organismul notificat w a efectuat x și a emis
certificatul y corespunzător pentru z:
A. Informații suplimentare despre ():
A.1. Marcă
A.2. Marcă
A.3. Marcă
A.4. Produsul menționat anterior respectă cerințele
directivei 2014/34/UE. Unul sau mai multe din
standardele europene menționate sunt deja
înlocuite de noi ediții. Producătorul declară faptul
că produsul respectă de asemenea aceste noi
ediții, ășadar cerințele modificate ale noilor
standarde nu afectează produsul.



EU-Declaration of Conformity

(in accordance with ISO/IEC 17050-1)

MEU17034 Rev. 2

Minebea
intec
The true measure

slowenščina (sl)

Vyhlašenje o zghode
1. Model výrobku / číslo výrobku / platná lina pre číslo projektu.
2. Meno/názov a adresa výrobcu (2.1) a jeho splnomocneného zástupcu (2.2).
3. Toto vyhlásenie o zhode sa vydáva na vlastnú zodpovednosť výrobcu.
4. Predmet(-y) vyhlásenia:
5. Uvedený predmet či uvedené predmety vyhlásenia sú v zhode s prísušnými harmonizačnými právnymi predpismi Únie.
6. odkazy na prísušné použité harmonizačnivé normy alebo odkazy na iné technické špecifikácie, v súvislosti s ktorými sa zhoda vyhlasuje.
7. Notifikovaný orgán v vykonaní x a vydal certifikát y relevantný pre z:
A. Doplňujúce informácie o ():
A.1 Označenie
A.2 Označenie
A.3 Označenie
A.4 Vyššie uvedený výrobok je v súlade s požiadavkami smernice 2014/34/EU. Jedna alebo viaceré z uvedených európskych noriem sú už nahradené novými vyhláseniami. Výrobok vyhlasuje, že výrobok je v zhode aj s týmito novými vyhláseniami, pretože zmenené požiadavky nových noriem nemajú na výrobok vplyv.

slowenščina (sl)

Izjava o skladnosti
1. Model proizvoda / serijska številka proizvoda / veljavno samo za številko projekta.
2. Ime in naslov proizvajalca (2.1) ter njegovega pooblaščenega zastopnika (2.2).
3. Za izdajo te izjave o skladnosti je odgovoren izključno proizvajalec.
4. Predmet(i) izjave:
5. Predmet(i) navedeno izjave je (so) v skladu z ustreznimi zakonodajno Úniji o harmonizaciji.
6. Sklicevanja na uporabljene ustrezne harmonizirane standarde ali sklicevanja na druge tehnične špecifikacije v zvezi s skladnostjo, ki je navedena v izjavi.
7. Priglaseni organ v je izvedel x in izdal certifikat y, pomembna za z:
A. Dodatne informacije o ():
A.1 Oznaka
A.2 Oznaka
A.3 Oznaka
A.4 Zgoraj navedeni proizvod je v skladu z zahtevami direktive 2014/34/EU. Ena ali več omenjenih evropskih standardov so že nadomestile nove izdaje. Proizvajalec izjavlja, da je proizvod skladen s temi novimi izdajami, saj spremenjene zahteve novih standardov ne vplivajo na proizvod.

suomi (fi)

Vaatimustenmukaisuusvakuutus
1. Tuotemalli / tuotenumero / koskee vain projektinumeroa.
2. Valmistajan (2.1) ja valtuutetun edustajan (2.2) nimi ja osoite.
3. Tämä vaatimustenmukaisuusvakuutus on annettu valmistajan yksinomaisella vastuulla.
4. Vakuutuksen kohde (kohteet):
5. Edellä kuvattu (kuvatut) vakautuksen kohde (kohteet) on (ovat) asiaa koskevan unionin yhdenmukaistamislaeudelmän vaatimusten mukainen (mukaisia).
6. Viitatus niihin asiaan koskeviin yhdenmukaistettuihin standardeihin, joita on käytetty, tai viitatus niihin teknisiin eritelmiin, joiden perusteella vaatimustenmukaisuusvakuutus on annettu.
7. Ilmoitettu laitos on suorittanut x ja antoi todistuksen y liittyen z:
A. Lisätietoja ():
A.1 Merkintä
A.2 Merkintä
A.3 Merkintä
A.4 Yllä mainittu tuote vastaa direktiivin 2014/34/EU vaatimuksia. Yksi tai useampi mainittuista eurooppalaista standardeista on jo korvattu uusilla painoksilla. Valmistaja vakuuttaa, että tuote vastaa myös näitä uusia painoksia, koska uusien standardien muutokset eivät vaikuta tuotteeseen.

svenska (sv)

Försäkran om överensstämmelse
1. Produktmodell / produktnummer / gäller endast för projektnummer.
2. Tillverkarens namn och adress (2.1) och dess auktoriserade representant (2.2).
3. Denna försäkran om överensstämmelse utfärdas på tillverkarens eget ansvar.
4. Föremål för försäkran:
5. Föremålet/föremålen för försäkran övan överensstämmer med den relevanta harmoniserade unionslagstiftningen.
6. Hänvisningar till de relevanta harmoniserade standarder som använts eller hänvisningar till de andra tekniska specifikationerna enligt vilka överensstämmelsen försäkras.
7. Det nämnda organet v har utfört x och utfärdat intyg y relevant för z:
A. Tilläggare information om ():
A.1 Märkning
A.2 Märkning
A.3 Märkning
A.4 Övan nämnda produkt är i linje med kraven i direktiv 2014/34/EU. En eller flera av de nämnda europeiska standarderna har redan ersatts av nya upplagor. Tillverkaren försäkras att produkten även överensstämmer med dessa nya upplagor, då de ändrade kraven i de nya standarderna inte påverkar produkten.

12.11 RU Д-DE.A301.B.05345

	ЕВРАЗИЙСКИЙ ЭКОНОМИЧЕСКИЙ СОЮЗ ДЕКЛАРАЦИЯ О СООТВЕТСТВИИ
<p>Заявитель Общество с ограниченной ответственностью «ДС Компания». Основной государственный регистрационный номер: 1107746937374. Место нахождения: 105037, Российская Федерация, город Москва, улица 3-я Парковая, дом 9, квартира 18 Телефон: 89660273663, адрес электронной почты: dc.company2000@gmail.com в лице Генерального директора Ежова Олега Олеговича</p>	
<p>заявляет, что Тензодатчики типов: PR6201, PR6202, PR6211, PR6212, PR6251, PR6221, PR6261, PR6224, PR6204, PR6246, PR6241, PR6207 Продукция изготовлена в соответствии с Директивой 2014/30/ЕС «Электромагнитная совместимость» изготовитель Minebea Intec GmbH. Место нахождения: ГЕРМАНИЯ, Meindorfer Strasse 205, 22145 Hamburg</p>	
<p>код ТН ВЭД ЕАЭС 9031 80 380 0</p>	
<p>Серийный выпуск соответствует требованиям Технического регламента Таможенного союза ТР ТС 020/2011 "Электромагнитная совместимость технических средств"</p>	
<p>Декларация о соответствии принята на основании протокола испытаний № 314-04/12-СТ от 13.04.2017 года, выданного испытательной лабораторией «Серт-Тест» Общества с ограниченной ответственностью «Серт и Ко», регистрационный № РОСС RU.04ИДЮ0.002; руководства по эксплуатации; паспорта</p>	
<p>Схема декларирования: Id</p>	
<p>Дополнительная информация Условия хранения продукции в соответствии с требованиями ГОСТ 15150-69. Срок хранения (службы, годности) указан в прилагаемой к продукции эксплуатационной документации. Стандарты, обеспечивающие соблюдение требований Технического регламента Таможенного союза ТР ТС 020/2011 "Электромагнитная совместимость технических средств": ГОСТ 30804.3.2-2013 "Совместимость технических средств электромагнитная. Эмиссия гармонических составляющих тока техническими средствами с потребляемым током не более 16 А (в одной фазе). Нормы и методы испытаний", ГОСТ 30804.3.3-2013 "Совместимость технических средств электромагнитная. Ограничение изменений напряжения, колебаний напряжения и фликера в низковольтных системах электроснабжения общего назначения. Технические средства с потребляемым током не более 16 А (в одной фазе), подключаемые к электрической сети при несоблюдении определенных условий подключения. Нормы и методы испытаний"</p>	
<p>Декларация о соответствии действительна с даты регистрации по 12.04.2022 включительно.</p>	
	<p>Ежов Олег Олегович <small>(подпись и печать руководителя организации/инженера или специалиста, ответственного за качество изготовленной продукции)</small></p>
<p>Сведения о регистрации декларации о соответствии: Регистрационный номер декларации о соответствии: ЕАЭС № RU Д-DE.A301.B.05345 Дата регистрации декларации о соответствии 13.04.2017</p>	

12.12 DE-17-PC-PTB005

 Physikalisch-Technische Bundesanstalt Nationales Metrologieinstitut		KBS Konformitätsbewertungsstelle	
 Baueinheiten-Zertifikat <i>Parts Certificate</i>			
Ausgestellt für: <i>Issued to:</i>	Minebea Intec GmbH Meiendorfer Str. 205 A 22145 Hamburg		
gemäß: <i>In accordance with:</i>	WELMEC 8.8 (2011-05) WELMEC Guide 8.8 (2011-05)		
Baueinheiten: <i>Type of parts:</i>	Wägezelle Load cell		
Typbezeichnung: <i>Type designation:</i>	PR 6241		
Nr. der Bescheinigung: <i>Certificate No.:</i>	DE-17-PC-PTB005		
Anzahl der Seiten: <i>Number of pages:</i>	8		
Geschäftszeichen: <i>Reference No.:</i>	PTB-1.12-4084763		
Zertifizierung: <i>Certification:</i>	Braunschweig, 13.10.2017		Bewertung: <i>Evaluation:</i>
Im Auftrag <i>On behalf of PTB</i>	Siegel <i>Seal</i>	Im Auftrag <i>On behalf of PTB</i>	
 Dr. Dorothea Knopf		 Timo Schwabe	
<p>Zertifikate ohne Unterschrift und Siegel haben keine Gültigkeit. Dieses Zertifikat darf nur unverändert weiterverbreitet werden. Auszüge bedürfen der Genehmigung der Physikalisch-Technischen Bundesanstalt. <i>Certificates without signature and seal are not valid. This certificate may not be reproduced other than in full. Extracts may be taken only with the permission of the Physikalisch-Technische Bundesanstalt.</i></p>			
<p style="writing-mode: vertical-rl; transform: rotate(180deg);">R3-0035965</p>			



Physikalisch-Technische Bundesanstalt
Nationales Metrologieinstitut

KBS

Konformitätsbewertungsstelle

Seite 2 des Baueinheiten-Zertifikats DE-17-PC-PTB005
Page 2 of the Parts Certificate DE-17-PC-PTB005

vom 13.10.2017
dated 13.10.2017

Zertifikatsgeschichte / Certificate history

Zertifikats-Ausgabe Certificate release	Datum Date	Wesentliche Änderungen Essential changes
DE-17-PC-PTB005	2017-10-13	Erstbescheinigung / primary certificate

Vorbemerkung / Preliminary remark

Dieses Zertifikat ist in Deutsch geschrieben. Im Fall von Unstimmigkeiten zwischen der deutschsprachigen Version und der englischen Übersetzung gilt die deutsche Version.

This certificate is written in German. In case of any conflict between the German language version and the English translation of it, the German version shall prevail.

1. Technische Daten / Technical Data

Die metrologischen Kenndaten der Wägezellen Typ PR 6241 sind in Tabelle 1 angegeben. Weitere technische Daten sind dem Datenblatt des Herstellers, Abschnitt 6 dieser Anlage, zu entnehmen.

The metrological characteristics of the load cells type PR 6241 are listed in Table 1. Further technical data are listed in the data sheet of the manufacturer in section 6 of this annex.

Tabelle 1: Wesentliche Kenndaten / Table 1: Essential data

Genauigkeitsklasse Accuracy class		D1	C1	C2	C3	C6 ^{a)}
Max. zul. Anzahl d. Teilungswerte Maximum number of verification intervals	n _{LC}	1	1000	2000	3000	6000
Kennwert Rated output	mV/V	2 ^{b)}				
Nennlast Nominal capacity	E _{max}	50 / 100 / 200 / 300 / 500 / 1000 / 2000 / 3000 / 5000 ^{c)}				
Mindestteilungswert d. Wägezelle Minimum load cell verification interval	V _{min} = (E _{max} / Y)	1	E _{max} / 5000	E _{max} / 10000	E _{max} / 14000	E _{max} / 20000
Vorlastsignatrückkehr Minimum dead load output return	DR = (½ · E _{max} / Z)	1	½ · E _{max} / 1000	½ · E _{max} / 2000	½ · E _{max} / 3000	½ · E _{max} / 8000
Vorlast Dead load	% E _{max} / kg	1	0			
Grenzlast Safe overload	% E _{max} / kg	1	150			
Eingangswiderstand Input impedance	Ω	650 ± 6				

- a) für E_{max} = 200 kg bis E_{max} = 3000 kg: Genauigkeitsklasse C6;
for E_{max} = 200 kg up to E_{max} = 3000 kg: accuracy class C6;
- b) für E_{max} = 50 kg: 1 mV/V; Y = 5000;
for E_{max} = 50 kg: 1 mV/V; Y = 5000;
- c) für E_{max} = 5000 kg: nur Genauigkeitsklasse D1, C1, C2, C3;
for E_{max} = 5000 kg: only accuracy class D1, C1, C2, C3;



Physikalisch-Technische Bundesanstalt
Nationales Metrologieinstitut

KBS

Konformitätsbewertungsstelle

Seite 3 des Baueinheiten-Zertifikats DE-17-PC-PTB005
Page 3 of the Parts Certificate DE-17-PC-PTB005

vom 13.10.2017
dated 13.10.2017

2. Prüfungen / Tests

Die Richtigkeitsprüfungen, die Untersuchungen der Stabilität des Nullsignals, der Reproduzierbarkeit und des Kriechverhaltens im Temperaturbereich von -10°C bis +55°C sowie die barometrischen Prüfungen und die Prüfung der Messbeständigkeit bei zyklischer Feuchte-Wärme wurden nach OIML R60 (2000) mit dem Fehleranteil $p_{LC} = 0,7$ entsprechend Tabelle 2 ausgeführt.

The determination of the load cell error, the stability of the dead load output, repeatability and creep in the temperature range of -10°C to +55°C as well as the tests of barometric pressure effects and the determination of the effects of cyclic damp heat have been performed according to OIML R60 (2000) with fraction $p_{LC} = 0.7$ as shown in Table 2.

Tabelle 2: Ausgeführte Prüfungen / Table 2: Tests performed

Prüfung / Test	R60 (2000)	Nennlasten der geprüften Muster nominal loads of tested samples	Ergebnis result
Temperaturprüfung und Wiederholbarkeit bei Temperature test and repeatability at 20°C / 55°C / 40°C / -10°C / 20°C	5.1.1; 5.4 A.4.1	100 / 200 / 1000 kg	+
Temperatureinfluss auf Vorlastsignal bei Temp. effect on min. dead load output at 20°C / 55°C / 40°C / -10°C / 20°C	5.5.1.3 A.4.1.16	100 / 200 / 1000 kg	+
Kriechprüfung bei Creep test at 20°C / 55°C / 40°C / -10°C / 20°C	5.3.1 A.4.2	100 / 200 / 1000 kg	+
Mindestvorlastsignalrückkehr bei Minimum dead load output return at 20°C / 55°C / 40°C / -10°C / 20°C	5.3.2 A.4.3	100 / 200 / 1000 kg	+
Auswirkung des Luftdrucks bei Umgebungstemperatur Barometric pressure effects at room temperature	5.5.2 A.4.4	200 kg	+
Feuchteprüfung, zyklisch, Kennzeichnung CH oder (ohne) Damp heat test, cyclic, marked CH or (not marked)	5.5.3.1 A.4.5	200 kg	+

Die folgenden Messergebnisse sind in der PTB hinterlegt: / Following test results are kept at PTB:

- Test Report No. PTB 1.12-4084763-4.1, 06. September 2017:
E_{max}=200 kg; SN: 49117; C6; Y=20000; Z=8000; T_{max}= 40 °C
- Test Report No. PTB 1.12-4084763-4.2, 06. September 2017:
E_{max}=200 kg; SN: 49117; C6; Y=20000; Z=8000; T_{max}= 55 °C
- Test Report No. PTB 1.12-4084763-5.1, 06. September 2017:
E_{max}=1000 kg; SN: 61991; C6; Y=20000; Z=8000; T_{max}= 40 °C
- Test Report No. PTB 1.12-4084763-5.2, 06. September 2017:
E_{max}=1000 kg; SN: 61991; C6; Y=20000; Z=8000; T_{max}= 55 °C



Physikalisch-Technische Bundesanstalt
Nationales Metrologieinstitut

KBS

Konformitätsbewertungsstelle

Seite 4 des Baueinheiten-Zertifikats DE-17-PC-PTB005
Page 4 of the Parts Certificate DE-17-PC-PTB005

vom 13.10.2017
dated 13.10.2017

- Test Report No. PTB 1.12-4084763-6.1, 06. September 2017:
E_{max}=100 kg; SN: 598248; C2; Y=10000; Z=2000; T_{max}= 40 °C
- Test Report No. PTB 1.12-4084763-6.2, 06. September 2017:
E_{max}=100 kg; SN: 598248; C2; Y=10000; Z=2000; T_{max}= 55 °C

3. Beschreibung der Wägezelle / Description of the load cell

Die Wägezellen der Baureihe PR 6241 sind S-förmige Drucklast-Wägezellen

Sie sind aus rostfreiem Edelstahl hergestellt, die DMS-Applikation ist hermetisch gekapselt. Die wesentlichen Betriebsdaten sind dem Datenblatt in Abschnitt 6 dieser Anlage zu entnehmen.

The load cells of the series PR 6241 are s-shaped compression load cells. They are made of stainless steel, the strain gauge application is hermetically sealed. Further essential characteristics are given in the data sheet, see section 6 of this annex.

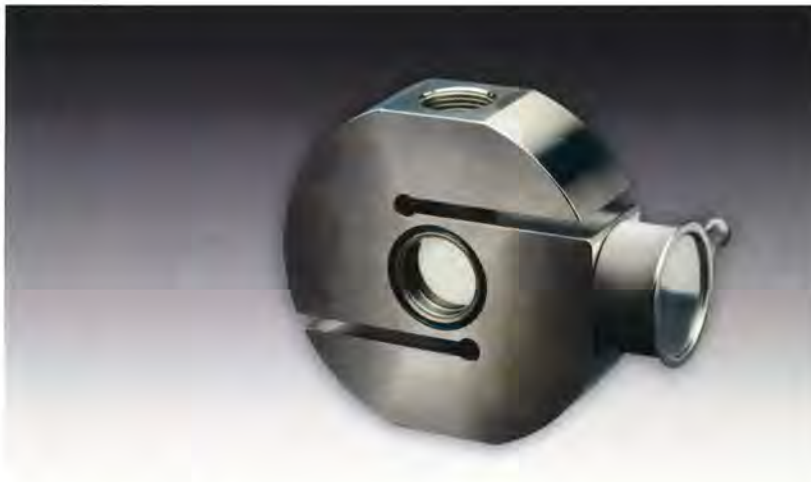


Bild 1: Wägezelle Typ PR 6241/33 (Nennlast 3000 kg)

Figure 1: Load cell type PR 6241/33 (nominal load 3000 kg)

Das Typenschild enthält folgende Kenndaten:

The name plate contains following characteristics:

- Hersteller / name of manufacturer
- Typenbezeichnung / load cell model
- Seriennummer / Serial number
- Nennlast E_{max} / Maximum capacity
- Genauigkeitsklasse / Accuracy class designation
- Kabellänge / Cable length



Physikalisch-Technische Bundesanstalt
Nationales Metrologieinstitut

KBS

Konformitätsbewertungsstelle

Seite 5 des Baueinheiten-Zertifikats DE-17-PC-PTB005
Page 5 of the Parts Certificate DE-17-PC-PTB005

vom 13.10.2017
dated 13.10.2017

4. Dokumentation / Documentation

Die zu diesem Zertifikat gehörenden technischen Unterlagen des Zertifikatsinhabers sind im Zertifizierungs-Dokumentensatz der benannten Stelle hinterlegt. Ein von der benannten Stelle gestempeltes Inhaltsverzeichnis dieses Zertifizierungs-Dokumentensatzes wurde dem Zertifikatsinhaber zugesandt.

The documents appendant to this certificate are deposited at the notified body in the certification documentation. The index of the certification documentation has been stamped by the notified body and sent to the owner of the certificate.

5. Weitere Informationen / Further information

Fertigungsverfahren, Werkstoffe und Abdichtungen müssen den vorgestellten Mustern und der in der PTB hinterlegten Dokumentation entsprechen; Änderungen sind nur mit Zustimmung der PTB erlaubt.

Die im Datenblatt hinsichtlich Linearität, Umkehrspanne und Temperaturgang angegebenen Fehlergrenzen begrenzen maximal mögliche Einzelfehler eines Musters; der für jedes Muster zulässige Gesamtfehler aus diesen Größen ist durch die Fehlergrenze nach OIML R60 Nr. 5.1 (Hüllkurve) vorgegeben.

Die technischen Daten sowie die Abmessungen der Wägezellen sind im Abschnitt 6 in dieser Anlage enthalten und müssen beachtet werden. Die Wägezellen können nach DIN EN 45501 Nr. 4.12 auch in Waagen der Klasse (III) eingesetzt werden.

The manufacturing process, material and sealing of the produced load cells have to be in accordance with the tested patterns; changes are only allowed with the permission of the PTB.

The typical errors related to linearity, hysteresis and temperature coefficient as indicated in the data sheet point out possible single errors of a pattern; however, the overall error of each pattern is determined by the maximum permissible error according to OIML R60 No 5.1.

The technical data, the dimensions of the load cell are given in section 6 of this annex, have to be complied with. The load cells also can be used in weighing instruments of class (III) in accordance with DIN EN 45501 No. 4.12.

6. Datenblatt und Abmessungen / Data sheet and dimensions

Kenndaten der Wägezellen-Familie / Specifications of the Load Cell Family

Genauigkeitsklasse nach OIML R60 <i>Accuracy class acc. to OIML R60</i>			D1	C1	C2	C3	C6 ⁴⁾	
			% E _{max}	0,04	0,03	0,02	0,015	0,008
Nennkennwert <i>Rated output</i>	C _n	mV/V	2 ⁵⁾					
Relative Kennwertabweichung <i>Tolerance on rated output</i>	d _c	% C _n	< 0,25	< 0,20	< 0,07			
Nennlast <i>Nominal capacity</i>	E _{max}	kg	50 / 100 / 200 / 300 / 500 / 1000 / 2000 / 3000 / 5000 ⁶⁾					
Anzahl der Teilungswerte <i>Max. number of load cell verification intervals</i>	n _{LC}		1	1000	1000	2000	3000	6000
Mindestteilungswert d. Wägezelle <i>Min. load cell verification interval</i>	V _{min} = (E _{max} / Y)	kg	E _{max} / 5000	E _{max} / 10000		E _{max} / 14000	E _{max} / 20000	
Mindestvorlastsignalrückkehr <i>Minimum dead load output return (MDLOR)</i>	MDLOR	kg	½ E _{max} / 1000		½ E _{max} / 2000	½ E _{max} / 3000	½ E _{max} / 8000	
Belastungskriechen (30 Min) <i>Creep (30 min)</i>	d _{cr}	% C _n	< 0,03		< 0,02	< 0,015	< 0,008	



Physikalisch-Technische Bundesanstalt
Nationales Metrologieinstitut

KBS

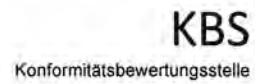
Konformitätsbewertungsstelle

Seite 6 des Baueinheiten-Zertifikats DE-17-PC-PTB005
Page 6 of the Parts Certificate DE-17-PC-PTB005

vom 13.10.2017
dated 13.10.2017

Linearitätsabweichung <i>Non-Linearity</i>	d_{lin}	% C_n	< 0,03	< 0,015	< 0,01		
Reproduzierbarkeit <i>Repeatability</i>	ϵ_{R1}	% C_n	< 0,01	< 0,005			
Relative Umkehrspanne <i>Hysteresis error</i>	d_{hy}	% C_n	< 0,04	< 0,03	< 0,02	< 0,015	< 0,008
Temperaturkoeffizient d. Kennwertes <i>Temperature coefficient on C</i>	TK_C	% C_n / 10 K	< 0,03	< 0,02	< 0,012	< 0,01	< 0,005
Temperaturkoeffizient des Mindestvorlastsignals <i>Temperature effect on S_{min}</i>	TK_{Smin}	% C_n / 10 K	< 0,028	< 0,014	< 0,014	< 0,01	< 0,007
Mindestvorlast / <i>Minimum dead load</i>	E_{min}	% E_{max}	0				
Grenzlaster / <i>Safe load limit</i>	E_{lim}	% E_{max}	150				
Bruchlast / <i>Ultimate load</i>	E_{br}	% E_{max}	300				
Nennmessweg bei E_{max} , ca. <i>Deflection at E_{max}, approx.</i>	S_{nom}	mm	< 0,3 für $E_{max} \leq 3000$ kg / < 0,5 für $E_{max} = 5000$ kg				
Nullsignal <i>Zero Output Signal</i>	S_{min}	% C_n	< 1,0				
Maximale Speisespannung <i>Excitation voltage, maximum</i>	U_{max}	V DC	28				
Nennbereich der Speisespannung <i>Nominal range of excitation voltage</i>	B_U	V	4...24				
Eingangswiderstand <i>Input resistance</i>	R_{LC}	Ω	650 \pm 6				
Ausgangswiderstand <i>Output resistance</i>	R_o	Ω	610 \pm 1	610 \pm 0,5			
Isolationswiderstand <i>Insulation impedance</i>	R_{is}	Ω	> 5000 x 10 ⁶ (100 V DC)				
Nenntemperaturbereich <i>Nominal temperature range</i>	B_T	°C	- 10 ... + 55				
Gebrauchstemperaturbereich <i>Operating temperature range</i>	B_{Tu}	°C	- 30 ... + 95				
Lagertemperaturbereich <i>Storage temperature range</i>	B_{Tg}	°C	- 40 ... + 95				
Vibrationsbeständigkeit <i>Vibration resistance</i>			20 x g, 100 h, 10 ... 150 Hz				
Umgebungsdruckeinfluss <i>Air pressure effect</i>	PK_{Smin}	% C_n / kPa	\leq 0,005	\leq 0,0025			
Werkstoff <i>Load cell material</i>			rostfreier Stahl 17-4 PH (1.4542) Stainless steel 17-4 PH (1.4542)				
Empf. Anzugsmoment d. Schrauben <i>Torque on fixation screws</i>		Nm	Handfest / handtight				
Kapselung <i>Sealing</i>			komplett hermetisch gekapselt complete hermetic sealing				

- a) für $E_{max} = 200$ kg bis $E_{max} = 3000$ kg: Genauigkeitsklasse C6;
for $E_{max} = 200$ kg up to $E_{max} = 3000$ kg: accuracy class C6;
- b) für $E_{max} = 50$ kg: 1 mV/V; Y = 5000;
for $E_{max} = 50$ kg: 1 mV/V; Y = 5000;
- c) für $E_{max} = 5000$ kg: nur Genauigkeitsklasse D1, C1, C2, C3;
for $E_{max} = 5000$ kg: only accuracy class D1, C1, C2, C3;



Seite 7 des Baueinheiten-Zertifikats DE-17-PC-PTB005
 Page 7 of the Parts Certificate DE-17-PC-PTB005

vom 13.10.2017
 dated 13.10.2017

Kabelanschluss / Wiring

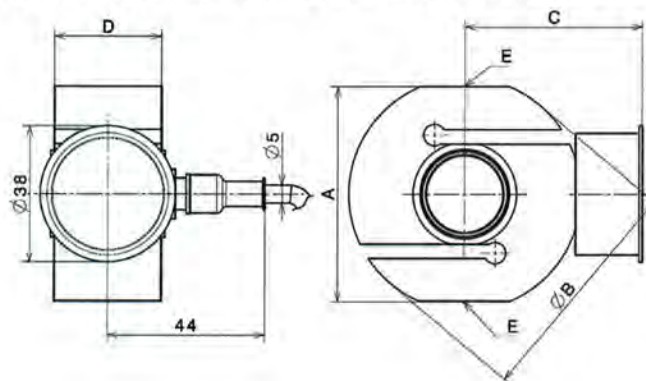
Die Wägezelle hat ein 4 / 6-adriges, abgeschirmtes Kabel. Die Kabellänge ist im Begleitdokument und auf dem Typenschild angegeben. Der Schirm an der Wägezelle ist je nach Kundenwunsch aufgelegt oder getrennt.

The load cell is provided with a shielded 4 / 6 conductor cable. The cable length is indicated in the accompanying document and on the name plate. The shield will be connected or not connected to the load cell according to customers preference.

Anschlussbelegung / Connections

Anschlussbelegung Connections	4-Leiter 4-wires	6-Leiter 6-wires
Speisung / Excitation +	rot / red	rot / red
Speisung / Excitation -	blau / blue	blau / blue
Signal / Signal +	grün / green	grün / green
Signal / Signal -	grau / grey	grau / grey
Fühler / Sense +	- / -	weiß / white
Fühler / Sense -	- / -	schwarz / black
Schirm / Shield	Gelb / transparent / ohne Isolation / yellow / transparent / without isolation	Gelb / transparent / ohne Isolation / yellow / transparent / without isolation
Kabellänge / Cable length	spezifiziert auf dem Typenschild specified on the name plate	

Wägezellen-Abmessungen in mm / Load cell dimensions in mm





Physikalisch-Technische Bundesanstalt
Nationales Metrologieinstitut

KBS

Konformitätsbewertungsstelle

Seite 8 des Baueinheiten-Zertifikats DE-17-PC-PTB005
Page 8 of the Parts Certificate DE-17-PC-PTB005

vom 13.10.2017
dated 13.10.2017

Type	A	B	C	D	E
PR 6241/51	60	65	49.7	23	M12
PR 6241/12	60	65	49.7	23	M12
PR 6241/22	60	65	49.7	23	M12
PR 6241/32	60	65	49.7	23	M12
PR 6241/52	60	65	49.7	23	M12
PR 6241/13	60	65	49.7	30	M12
PR 6241/23	60	65	49.7	30	M12
PR 6241/33	90	95	63.7	30	M20x1.5
PR 6241/53	90	95	63.7	35	M20x1.5

Bild 2: Abmessungen der Wägezelle Typ PR 6241
Figure 2: Dimensions of the load cell type PR 6241

Krafteinleitung, Beispiel / Force introduction, example

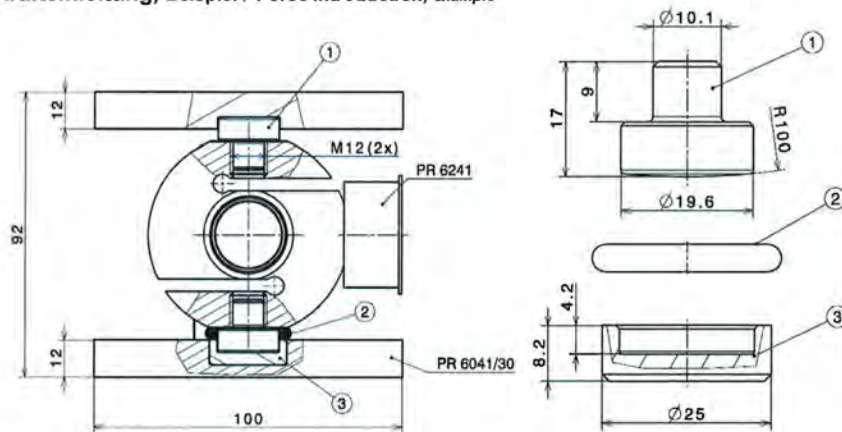


Bild 3: Beispiel einer Krafteinleitung für die Wägezelle Typ PR 6241 mit Grundplatte PR 6041/30
Figure 3: Example for a force introduction of the load cell type PR 6241 with baseplate PR 6041/30

PTB | Physikalisch-Technische Bundesanstalt | Nationales Metrologieinstitut
PTB | Physikalisch-Technische Bundesanstalt | National Metrology Institute

Bundesallee 100 • 38116 Braunschweig • DEUTSCHLAND
Abbestraße 2-12 • 10587 Berlin • DEUTSCHLAND

Konformitätsbewertungsstelle
Conformity Assessment Body

12.13 R60/2000-DE1-17.15

 Physikalisch-Technische Bundesanstalt Braunschweig und Berlin Nationales Metrologieinstitut					
Member State of OIML Germany				OIML Certificate No. R60/2000-DE1-17.15	
OIML CERTIFICATE OF CONFORMITY					
Issuing Authority					
Name:	Physikalisch-Technische Bundesanstalt				
Address:	Bundesallee 100, 38116 Braunschweig				
Person responsible:	Dr. O. Mack				
Applicant					
Name:	Minebea Intec GmbH				
Address:	Meiendorfer Str. 205 A, 22145 Hamburg				
Manufacturer of the certified type is the applicant.					
Identification of the certified type					
	Load Cell Type: PR 6241				
	Further characteristics see page 2				
<p>This Certificate attests the conformity of the above identified type (represented by the sample or samples identified in the associated Test Report) with the requirements of the following Recommendation of the International Organization of Legal Metrology (OIML):</p> <p style="text-align: center;">R60, edition 2000 for accuracy class(es) D1, C1 – C6</p> <p>This Certificate relates only to the metrological and technical characteristics of the type of instrument covered by the relevant OIML Recommendation identified above.</p> <p>This Certificate does not bestow any form of legal international approval.</p>					
R3-0033	Page 1 of 2 pages				



OIML Certificate No.
R60/2000-DE1-17.15

The conformity was established by the results of tests and examinations provided in the associated Test Reports

- No. PTB 1.12-4084762-4.1 that includes 22 pages
- No. PTB 1.12-4084762-4.2 that includes 22 pages
- No. PTB 1.12-4084762-5.1 that includes 18 pages
- No. PTB 1.12-4084762-5.2 that includes 18 pages
- No. PTB 1.12-4084762-6.1 that includes 18 pages
- No. PTB 1.12-4084762-6.2 that includes 18 pages


The Issuing Authority


Dr. O. Mack
Member of Certification Body



10.10.2017

The OIML Member


Prof. Dr. R. Schwartz
Vice President

10.10.2017

Table 1: Essential data

Accuracy class		D1	C1	C2	C3	C6
Maximum number of verification intervals	n_{LC}	1000		2000	3000	6000
Rated output	mV/V	1 / 2 (*)				
Nominal capacity	E_{max} kg	50 / 100 / 200 / 300 / 500 / 1000 / 2000 / 3000 / 5000 (*)				
Minimum load cell verification interval	$V_{min} = (E_{max} / Y)$	$E_{max} / 5000$	$E_{max} / 10000$		$E_{max} / 14000$	$E_{max} / 20000$
Minimum dead load output return	$DR = (\frac{1}{2} \cdot E_{max} / Z)$	$\frac{1}{2} \cdot E_{max} / 1000$		$\frac{1}{2} \cdot E_{max} / 2000$	$\frac{1}{2} \cdot E_{max} / 3000$	$\frac{1}{2} \cdot E_{max} / 8000$

Dead load: $0\% \cdot E_{max}$; Safe overload: $150\% \cdot E_{max}$; Input impedance: $650 \pm 6 \Omega$

(*) = PR 6241 with $E_{max} = 50$ kg at 1 mV/V // Nominal capacities 50 kg and 100 kg only D1, C1 and C2 // $Y = 5000$ for $E_{max} = 50$ kg // $E_{max} = 5$ t only D1, C1, C2 and C3. Accuracy class C6 for $E_{max} = 200$ kg up to 3000 kg.

Important note: Apart from the mention of the Certificate's reference number and the name of the OIML Member State in which the Certificate is issued, partial quotation of the Certificate and of the associated Test Report(s) is not permitted, although either may be reproduced in full.

12.14 17-127

 		Certificate Number: 17-127 Page 1 of 3
NATIONAL TYPE EVALUATION PROGRAM <i>Certificate of Conformance</i> <i>for Weighing and Measuring Devices</i>		
For: Load Cell Compression Model: PR 6241 Series n_{max} : 2000 to 8000, Class III, Multiple Cell 5000 to 10 000, Class III, Multiple Cell Capacity: 50 kg to 5000 kg Accuracy Class: III/IIIL	Submitted By: Minebea Intec GmbH Meiendorfer Strasse 205 A 22145 Hamburg Germany Tel: +49.40.67960-238 Fax: +49.40.67960-500 Contact: Juergen Stolte Email: juergen.stolte@minebea-intec.com Web site: www.minebea-intec.com	
Standard Features and Options		
<ul style="list-style-type: none"> • The specific load cell models, capacities and v_{min} and n_{max} values covered by this Certificate are listed in the table on Page 2. • Nominal Output: 2.0 mV/V (1.0 mV/V for 50 kg capacity only) • Stainless Steel • 4 and 6 Wire Design • Minimum Dead Load: 0 kg 		
Temperature Range: -10 °C to 40 °C (14 °F to 104 °F)		
<small>This device was evaluated under the National Type Evaluation Program and was found to comply with the applicable technical requirements of "NIST Handbook 44: Specifications, Tolerances and Other Technical Requirements for Weighing and Measuring Devices." Evaluation results and device characteristics necessary for inspection and use in commerce are on the following pages.</small>		
 James Cassidy Chairman, NCWM, Inc.	 Kristin Macey Chairman, National Type Evaluation Program Committee Issued: November 8, 2017	
1135 M Street, Suite 110 / Lincoln, Nebraska 68508		
<small>The National Conference on Weights and Measures (NCWM) does not approve, recommend or endorse any proprietary product or material, either as a single item or as a class or group. Results shall not be used in advertising or sales promotion to indicate explicit or implicit endorsement of the product or material by the NCWM.</small>		



Certificate Number: 17-127
Page 2 of 3

Minebea Intec GmbH

Load Cell / PR 6241 Series

Application: The load cells may be used in multiple cell applications Class III and III L consistent with the model designations, number of scale divisions, and parameters specified in this certificate. Load cells of a given accuracy class may be used in applications with lower accuracy class requirements provided the number of scale divisions, the v_{min} value, and temperature range are suitable for the application. The manufacturer may market the load cell with fewer divisions (n_{max}) and with greater v_{min} values than those listed on the certificate. However, the load cells will come with the appropriate n_{max} and v_{min} for which the load cell may be used.

Specific Capacities, n_{max} and v_{min} Values:

Model	Capacity	Class III Multiple Cell		Class III L Multiple Cell	
		v_{min} (g)	n_{max}	v_{min} (g)	n_{max}
PR 6241 Series	50 kg	10	2000	3	5000
	100 kg*	10	2000	3	10 000
	200 kg*	10	8000	3	10 000
	300 kg	15	8000	5	10 000
	500 kg	25	8000	8	10 000
	1000 kg *	50	8000	17	10 000
* load cells tested	2000 kg	100	8000	33	10 000
	3000 kg	150	8000	50	10 000
	5000 kg	357	5000	119	10 000

Identification: An adhesive identification badge located on the cell, states manufacturer name, model, serial number, accuracy class and rated capacity. Other pertinent information will be specified on the Calibration Certificate accompanying the cell.

Test Conditions: A 100 kg, 200 kg and a 1000 kg capacity load cell were tested by the Physikalische-Technische Bundesanstalt (PTB) the Braunschweig facility. Testing was conducted in accordance with the OIML DoMC Mutual Acceptance Arrangement, signed by the NCWM as a utilizing participant for load cell testing. Testing was conducted using deadweights as the reference standard. The load cells were tested over a temperature range of -10 °C to 55 °C with tests run on each cell at each temperature. The temperature effect on zero was measured and a time dependence (creep) test was performed. The barometric pressure test to determine sensitivity of the load cell design to changes in barometric pressure was conducted. The data were analyzed for multiple load cell applications. OIML R60 selection criteria were used to determine cells tested.

Evaluated By: Dr. O. Mack, J. Klein (PTB)

Type Evaluation Criteria Used: NIST, Handbook 44: Specifications, Tolerances and Other Technical Requirements for Weighing and Measuring Devices, 2017. NCWM, Publication 14: Weighing Devices, 2017.

Conclusion: The results of the evaluation and information provided by the manufacturer indicate the device complies with applicable requirements.

Information Reviewed By: J. Truex (NCWM)



Certificate Number: 17-127
Page 3 of 3

Minebea Intec GmbH
Load Cell / PR 6241 Series

Example of Device:



12.15 10045



10B Airline Drive
Albany, New York 12235
800-554-4501
www.agriculture.ny.gov

Certificate of Approval
for Weighing and Measuring Devices

New York State Certificate Number: 10045
Effective Date: December 22, 2017

NTEP Certificate of Conformance Number: 17-127

For:

Load Cell
Compression
Model: PR 6241 Series
D_{max}: 2000 to 8000, Class III, Multiple Cell
5000 to 10 000, Class III, Multiple Cell
Capacity: 50 kg to 5000 kg
Accuracy Class: III/IIIL

Submitted By:

Minebea Intec GmbH
Meiendorfer Strasse 205 A
22145 Hamburg
Germany
Tel: +49.40.67960-238
Fax: +49.40.67960-500
Contact: Juergen Stolte
Email: juergen.stolte@minebea-intec.com
Web site: www.minebea-intec.com

This certifies that the items specified in the above National Type Evaluation Program (NTEP) Certificate of Conformance are hereby approved for sale or use in the State of New York.

The NTEP Certificate of Conformance, as issued by the National Conference on Weights and Measures, is accepted under the terms of INYCRR Part 220.1. Evaluation results and device characteristics necessary for inspection and use in commerce are stated in the NTEP Certificate of Conformance. Copies of the NTEP Certificate of Conformance are available on request and are available for inspection at the Bureau's Metrology Office at 6 Harriman Campus Road, Albany, NY 12206.

Michael Sikula, Director
NYS Bureau of Weights and Measures

Published by
Minebea Intec GmbH | Meiendorfer Strasse 205 A | 22145 Hamburg, Germany
Phone: +49.40.67960.303 | Email: info@minebea-intec.com
www.minebea-intec.com

